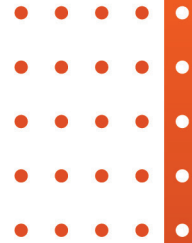




## Sealant Injection Fittings



# MAFFS VALVES & FITTINGS PVT LTD

Manufacturer of Industrial Valves, Instrumentation Valves & Fittings



MAFFS Sealant Injection fittings are used to provide lubrication for Valves & Wellhead and to stop the internal leakage of the valve thereby improving system integrity.

These components are machined, assembled and tested to the highest quality standard and follow international standards such as API, ANSI and NACE requirements. Full traceability of the material is recorded and maintained. The pressure range is up to 10000 PSI and the temperature range is upto 180°C. Consult us for higher pressure / temperature requirements.

We are producing below sealant injection fittings :

- Vented Cap Body Grease Fittings (Standard)
- Vented Cap Body Grease Fittings (Special)
- Giant Button Head Fittings
- Internal Check Valve Fittings
- Stick Injectors
- Lock Seal Fittings
- Body Vent/Bleeder Fittings
- Cavity Plugs
- Packing/Bonnet Injection Fittings
- Pressure Relief Tool
- Fitting Accessories
- Leak Lock Fittings



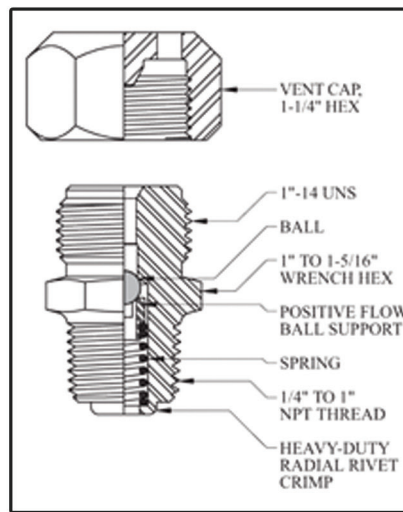


## MATERIALS

Body	Ball	Spring	Heat Treatment	Plating
AISI 1215 Carbon Steel	Chrome Alloy	SS302	-	Zinc
AISI 4140	Monel	Inconel X750	22 HRc Max (Nace)	Zinc
SS 316	Monel	Inconel X750	Annealed (Nace)	-

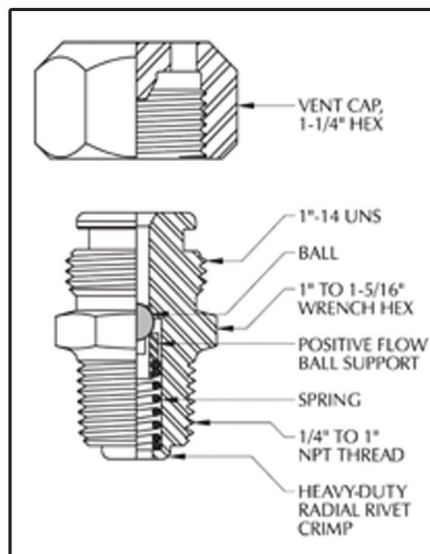
## VENTED CAP BODY GREASE FITTINGS (STANDARD)

Sizes: 1/4" NPT, 3/8" NPT, 1/2" NPT, 3/4" NPT & 1" NPT



## VENTED CAP BODY GREASE FITTINGS WITH GIANT BUTTON (STANDARD)

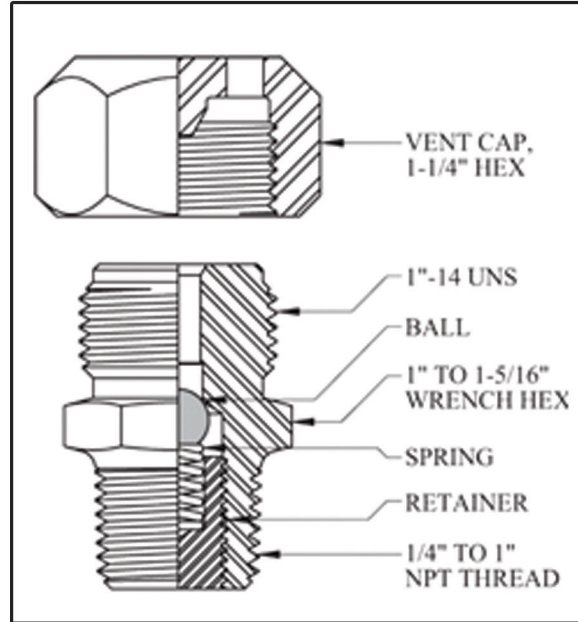
Sizes: 1/4" NPT, 3/8" NPT, 1/2" NPT, 3/4" NPT & 1" NPT





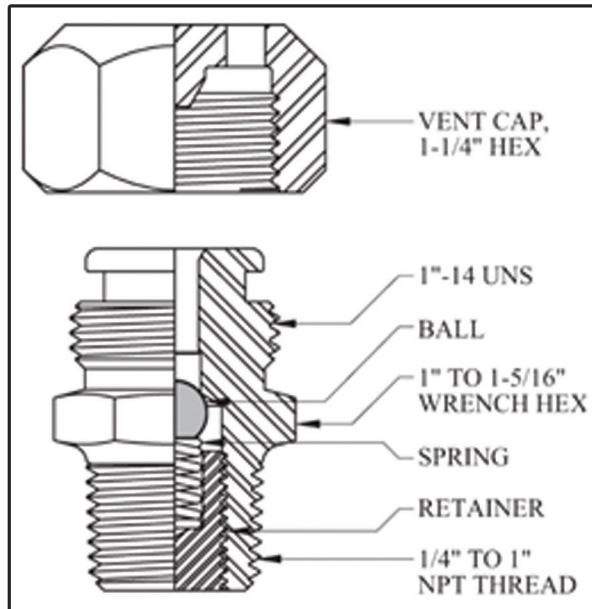
## VENTED CAP BODY GREASE FITTINGS (SPECIAL)

Sizes: 1/4" NPT, 3/8" NPT, 1/2" NPT, 3/4" NPT & 1" NPT



## VENTED CAP BODY GREASE FITTINGS WITH GIANT

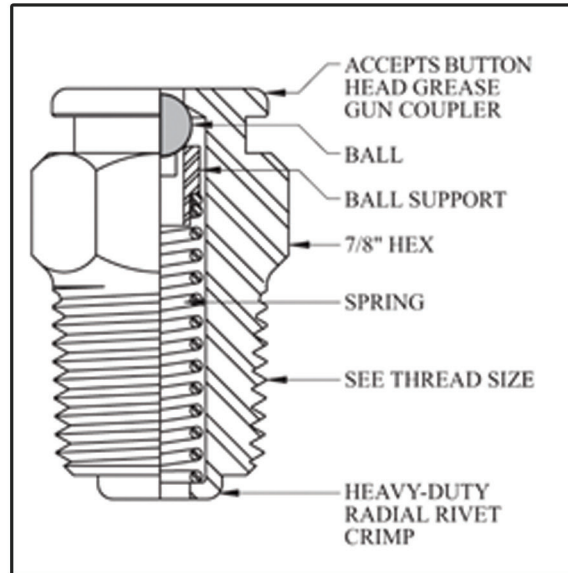
Sizes: 1/4" NPT, 3/8" NPT, 1/2" NPT, 3/4" NPT & 1" NPT





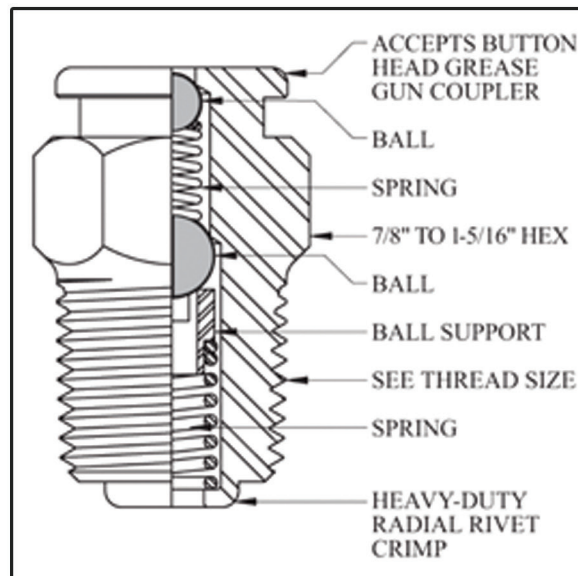
## GIANT BUTTON HEAD FITTINGS SINGLE BALL CHECK

Sizes: 5/8" 11 UNC, 3/4" 10 UNC, 1/4" NPT, 3/8" NPT, 1/2" NPT, 3/4" NPT & 1" NPT.



## DOUBLE BALL CHECK

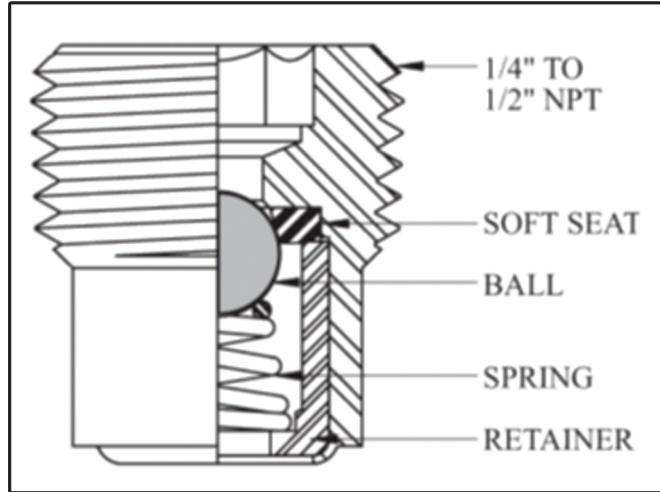
Sizes: 3/8" 16 UNC, 1/8" NPT, 1/4" NPT, 3/8" NPT & 1/2" NPT





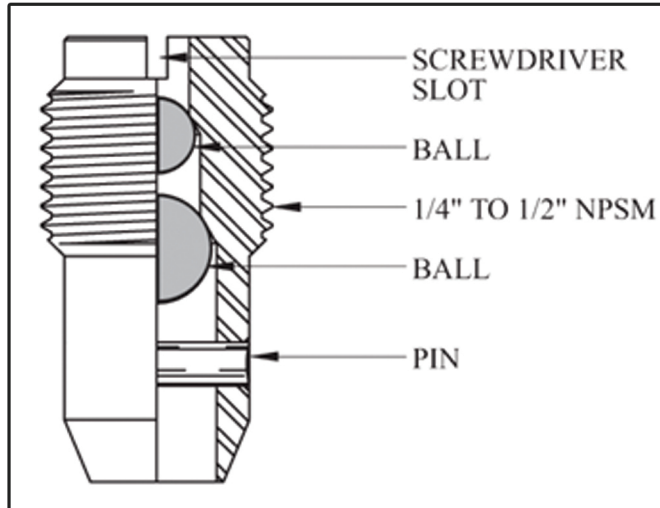
## INTERNAL CHECK VALVE FITTINGS SOFT SEATED

Sizes: 1/4" NPT, 3/8" NPT & 1/2" NPT



## METAL SEATED

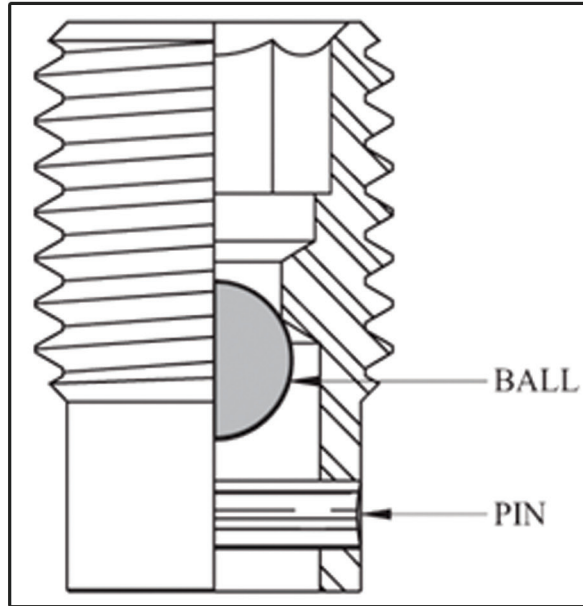
Sizes: 1/4" NPSM, 3/8" NPSM & 1/2" NPSM





## METAL SEATED

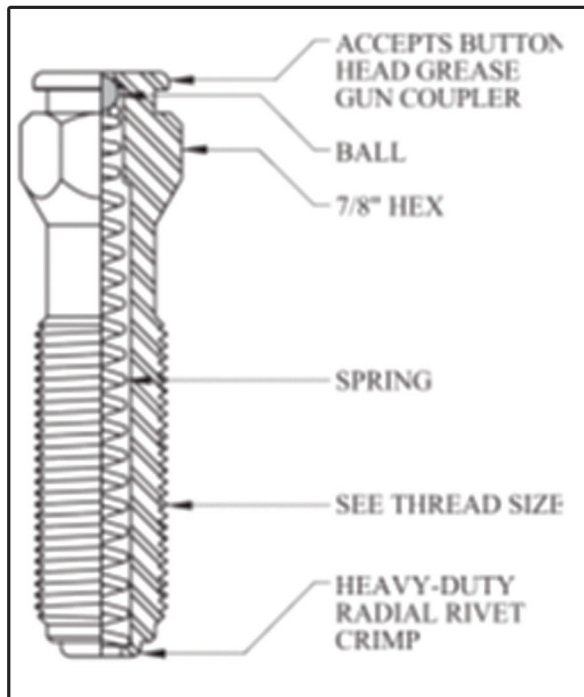
Sizes: 3/4" 10 UNC, 7/8" 9 UNC & 1" 8 UNC



## STICK INJECTORS

### SINGLE BALL CHECK

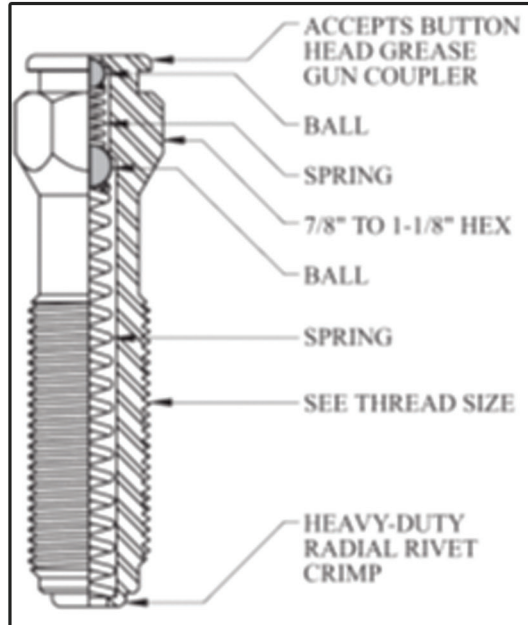
Sizes: 1/4", 3/8" NPSM, 1/2" NPSM, 3/4" NPSM, 3/8" 16 UNC, 1/2" 13 UNC, 3/4" 10 UNC & 1" 10 UNC





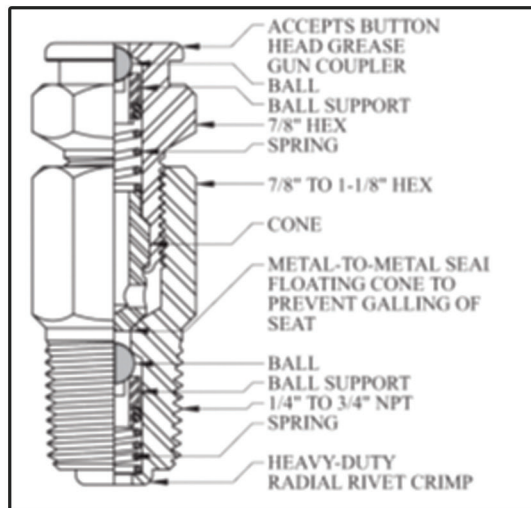
## DOUBLE BALL CHECK

Sizes: 1/4", 3/8" NPSM, 1/2" NPSM, 3/4" NPSM, 5/8" 11 UNC, 3/4" 10 UNC & 7/8" 9 UNC



## LOCK SEAL FITTINGS

Sizes: 1/4" NPT, 3/8" NPT, 1/2" NPT & 3/4" NPT



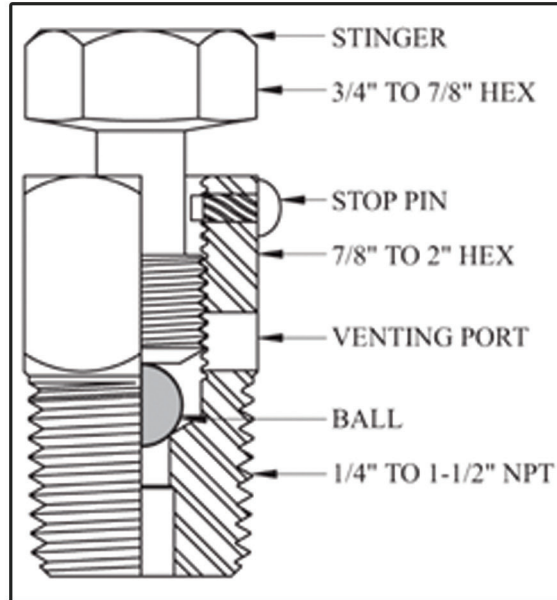




## BODY VENT/BLEEDER FITTINGS

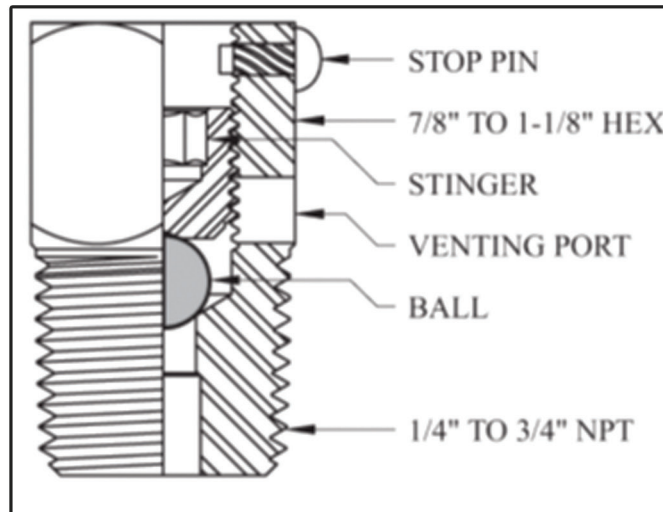
### STANDARD HEX HEAD

Sizes: 1/4" NPT, 3/8" NPT, 1/2" NPT, 3/4" NPT, 1" NPT, 1 1/4" NPT & 1 1/2" NPT



### HEX SOCKET HEAD

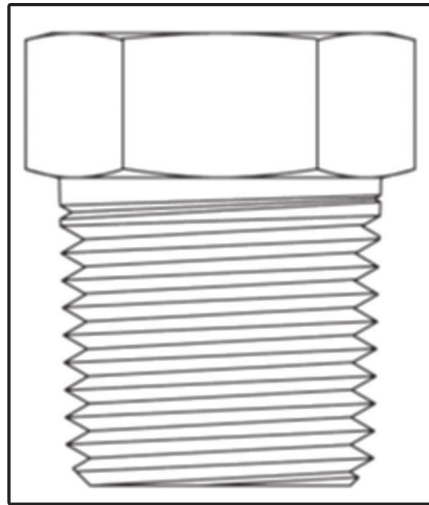
Sizes: 1/4" NPT, 3/8" NPT, 1/2" NPT & 3/4" NPT





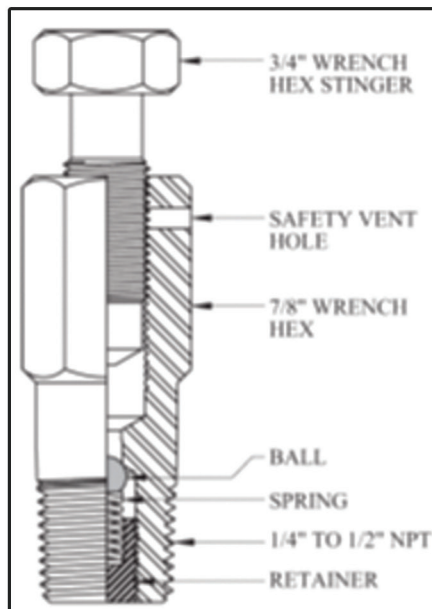
## CAVITY PLUGS

Sizes: 1/2" NPT, 3/4" NPT & 1" NPT



## PACKING/BONNET INJECTION FITTINGS STANDARD

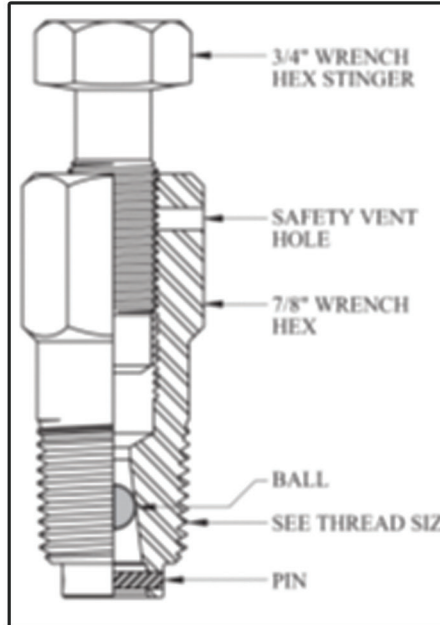
Sizes: 1/4", 3/8" & 1/2"





## SPRING LESS DESIGN

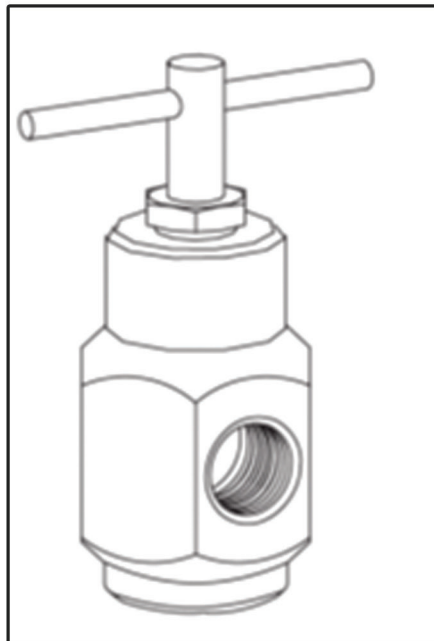
Sizes: 1/4", 3/8" & 1/2"



## PRESSURE RELIEF TOOL

### PRESSURE RELIEF

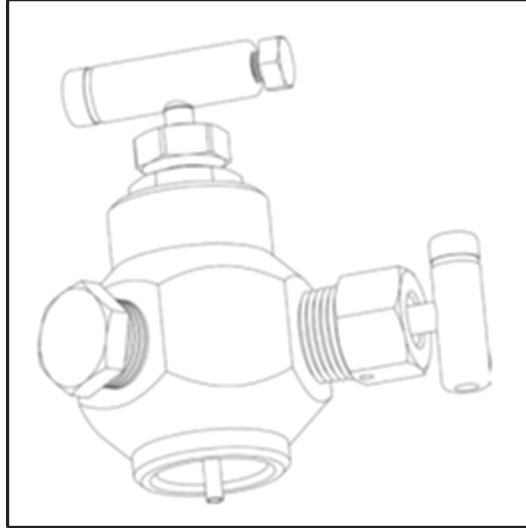
For 1" 14 UNS Vented Cap Fittings, 1/2" NPT Vent Port, Suitable for Pressure upto 10,000 PSI





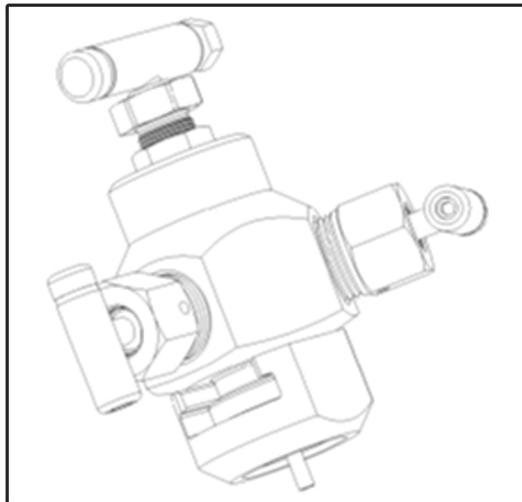
## PRESSURE RELIEF TOOL WITH BLEEDER

For 1" 14 UNS Vented Cap Fittings, 1/2" NPT Vent Port, Suitable for Pressure upto 10,000 PSI



## PRESSURE RELIEF TOOL WITH BLEEDER & SWIVEL

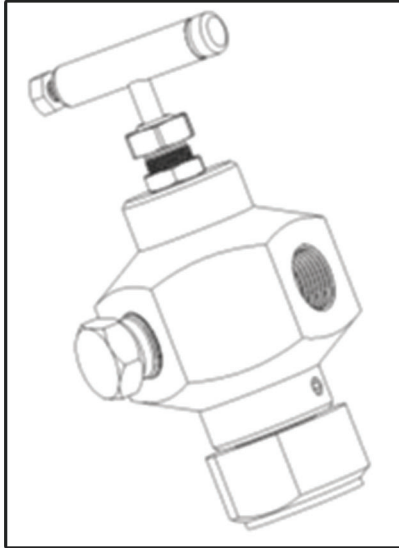
For 1" 14 UNS Vented Cap Fittings, , 1/2" NPT Vent Port with Bleeder valve, Suitable for Pressure upto 10,000 PSI



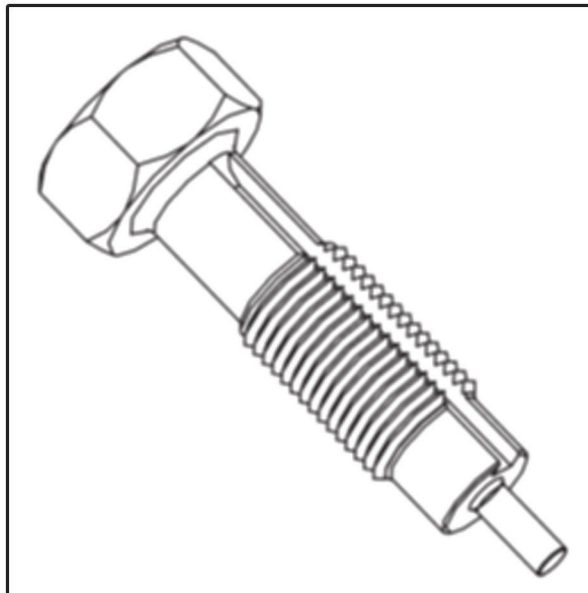


## PRESSURE RELIEF TOOL WITH BLEEDER & SWIVEL

For 1" 14 UNS Vented Cap Fittings, 1/2" NPT Vent Port with Autoclave plug, Suitable for Pressure upto 20,000 PSI



## PRESSURE RELIEF TOOL FOR PACKING INJECTION FITTINGS

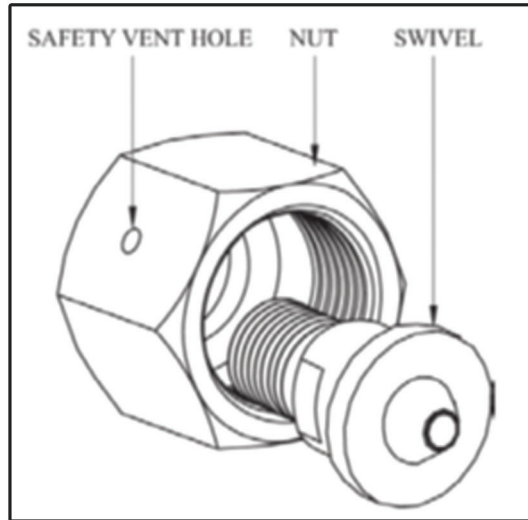




## FITTING ACCESSORIES

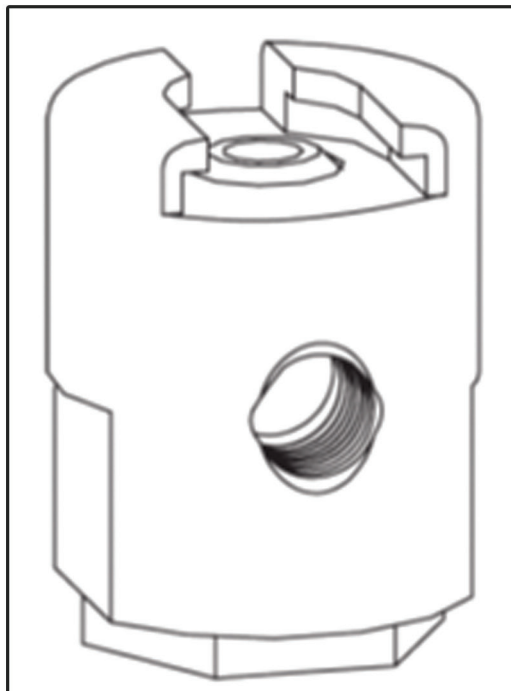
### GREASE GUN LUBE ADAPTER SWIVEL & NUT

Sizes: 3/4" 16 UNF, 7/8" 14 UNF & 1" 14 UNS, Use with Grease gun through 1/4" NPTM



### GIANT BUTTON HEAD COUPLER

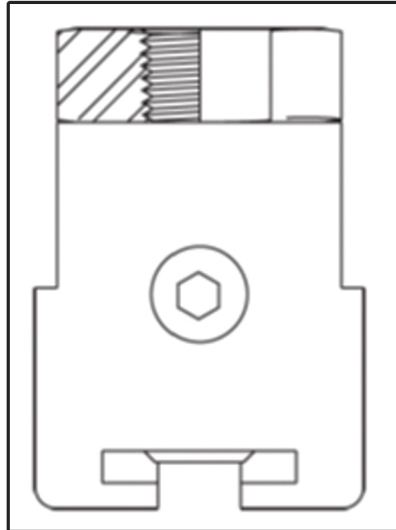
Use with Grease gun through 1/4" NPTM





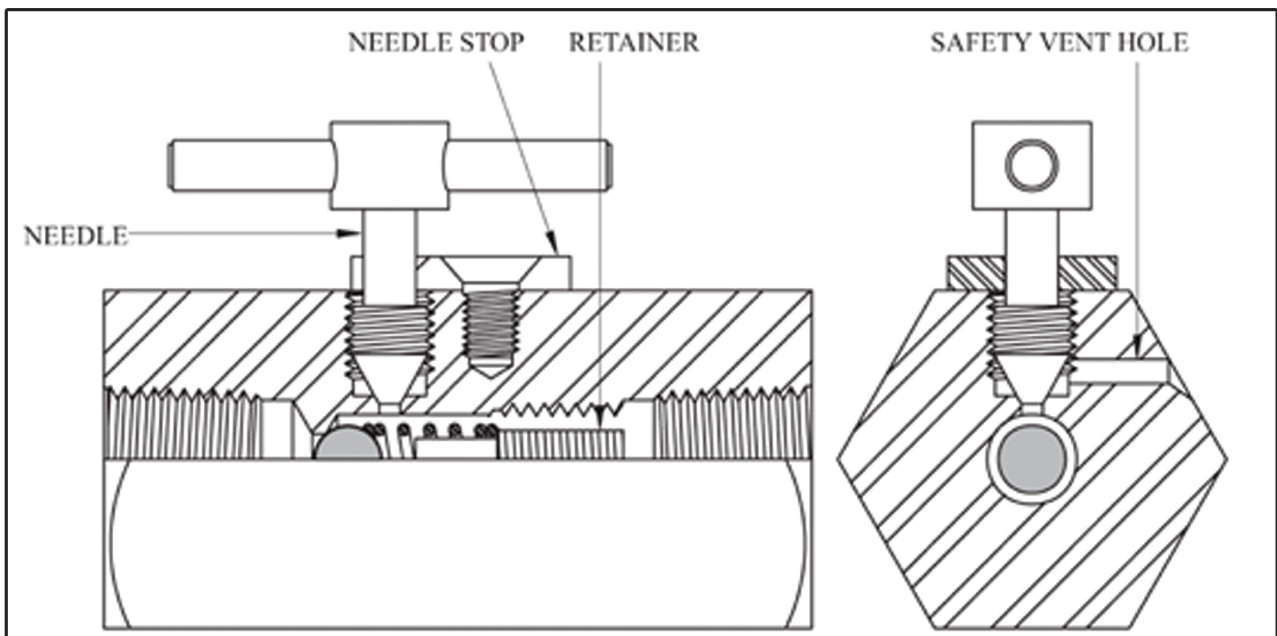
## GIANT BUTTON HEAD COUPLER WITH TOP ENTRY

Use with Grease gun through 1/4" NPTM



## SAFE VENT COUPLER

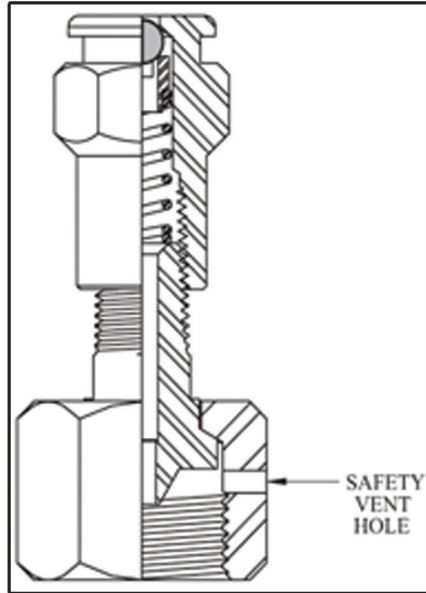
Sizes: 3/4", 7/8" & 1", Use with Grease gun through 1/4" NPTM, Grease gun lube adapter with pressure release and check.





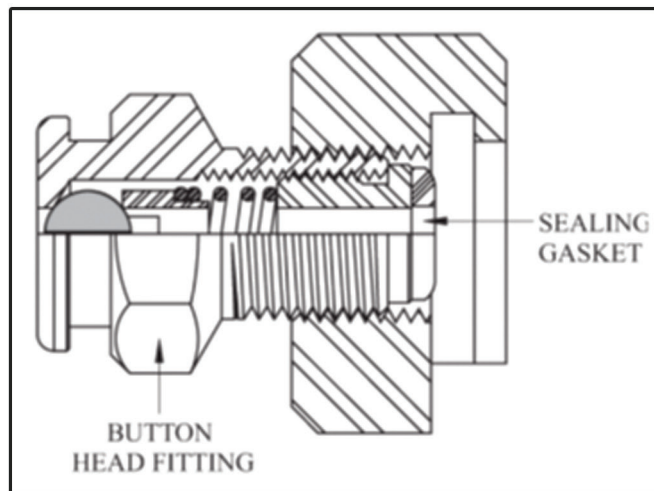
## COMBINATION LUBE ADAPTER

Sizes: 3/4" 16 UNE, 7/8" 14 UNE & 1" 14 UNE, Grease gun lube adapter with giant button head and ball check



## LEAK LOCK FITTINGS STANDARD TYPE

Available in SS316 material.

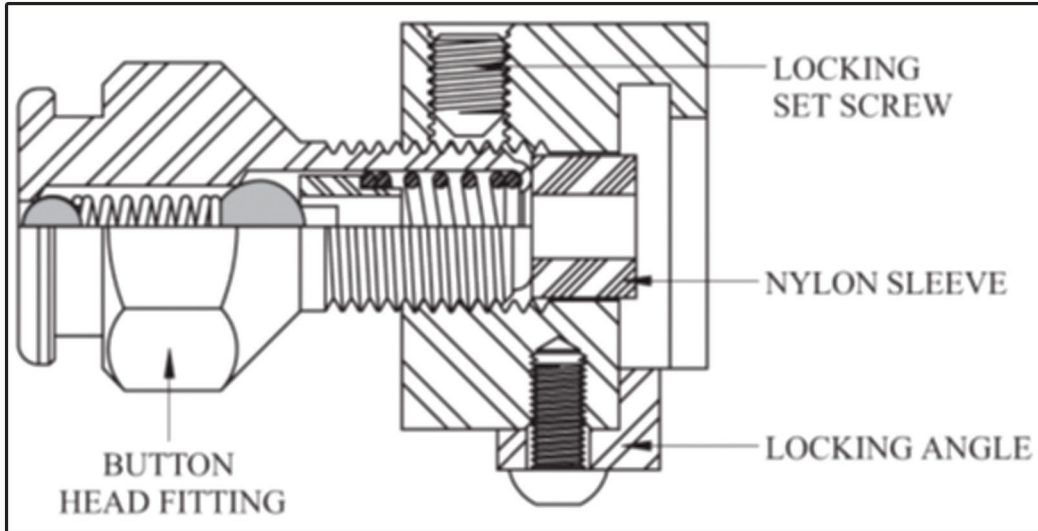






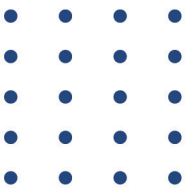
## LOCK ON TYPE

Available in SS316 material.





Follow us at :



For more details, Contact at :

- +91 9930568025
- sales@maffsvalves.com
- www.maffsvalves.com

**CORPORATE & FACTORY :**

Gala No. 9, Building No. 3, Patel Industrial Estate, Gokhivare,  
Range Office, Vasai East, Palghar - 401208