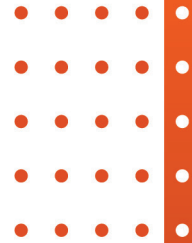


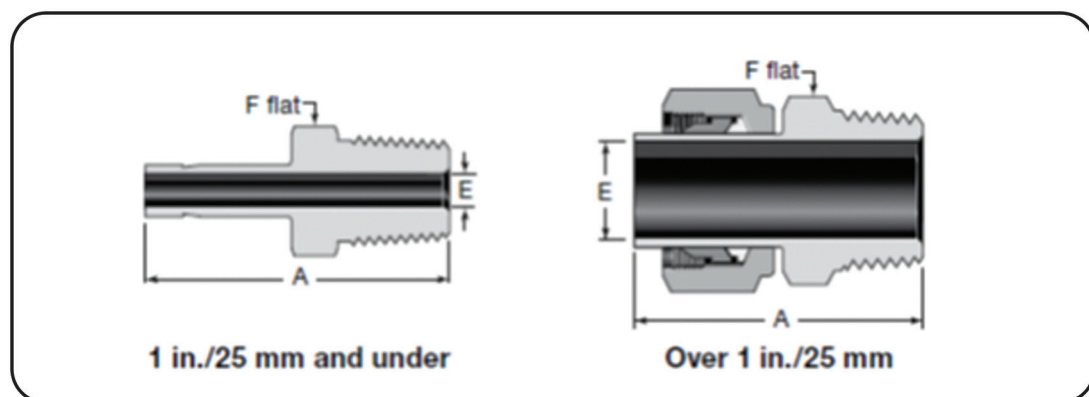


Tube Fittings



MAFFS VALVES & FITTINGS PVT LTD

Manufacturer of Industrial Valves, Instrumentation Valves & Fittings

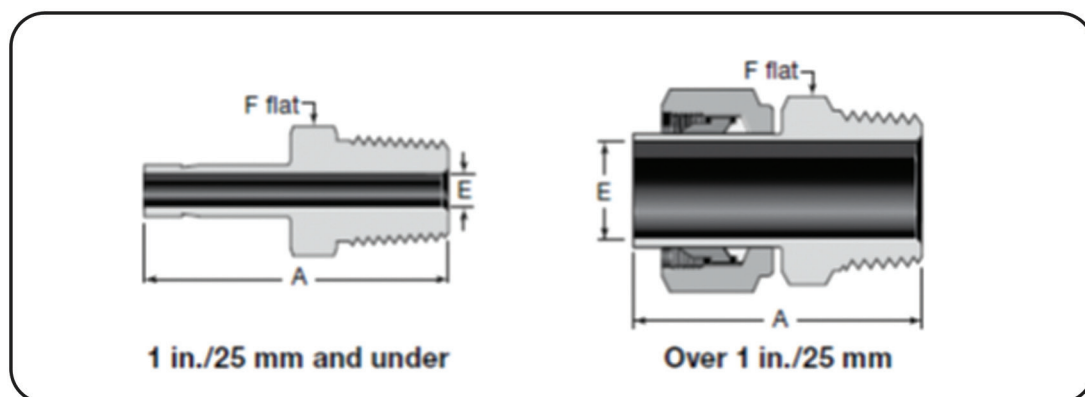


NPT

Tube OD in	NPT Size in.	Dimensions mm		
		A	R	F
1/8	1/8	29.5	2.00	11.1
	1/4	34.8		14.3
3/16	1/8	30.2	3.00	11.1
	1/4	3.6		14.3
1/4	1/8	31.8	4.30	11.1
	1/4	37.1		14.3
	3/8	37.8		17.5
	1/2	43.4		22.2
5/16	1/8	32.8	4.8	11.1
	1/4	38.1	5.6	14.3
3/8	1/8	33.5	4.8	11.1
	1/4	38.9	6.9	14.3
	3/8	39.6	6.9	17.5
	1/2	45.2	6.9	22.2
1/2	1/4	44.5	7.1	14.3
	3/8	45.2	9.4	17.5
	1/2	50.8	9.4	22.2
5/8	1/2	52.30	11.90	22.2
3/4	1/2	52.30	11.9	22.2
	3/4		14.7	27
1	3/4	58.7	15.7	27
	1	66	20.3	34.9
1 1/4	1 1/4	80.30	25.90	44.5
1 1/2	1 1/2	94.50	31.80	54
2	2	119.40	43.70	69.9

Tube OD	NPT Size in.	Dimensions mm		
		A	R	F
6	1/8	32.8	4.1	12
	1/4	38.1		14
8	1/4	39.1	5.6	14
	3/8	39.9		19
10	1/4	39.9	7.1	14
	3/8	40.6		18
	1/2	46.2		22
12	1/4	46.5	7.1	16
	1/2	52.1	8.8	22
28	1	74.7	22.2	35
		76.2	22.5	46
	1 1/4	68.6	22.2	35
		70.1	22.6	45
30	1	79.2	22.2	41
	1 1/4	80.0	24.3	46
32	1 1/4	81.0	26.5	46
38	1 1/2	92.2	31.6	55



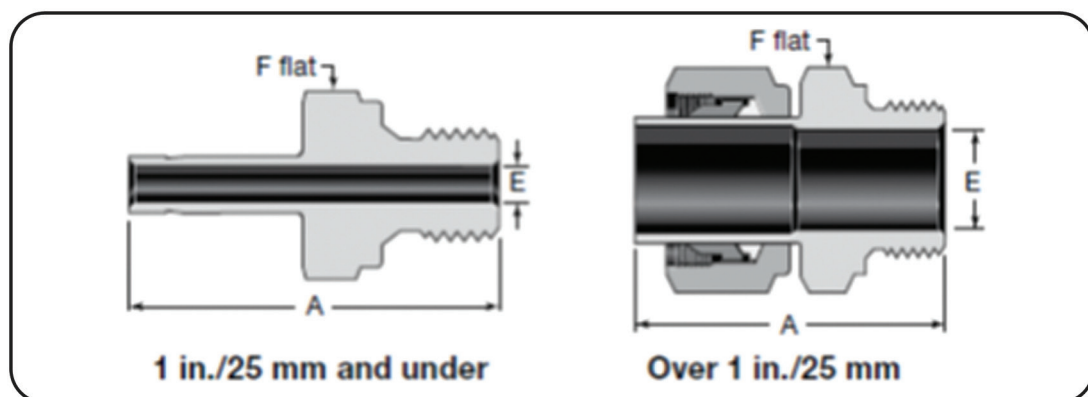


BSPT (RT)

Tube OD in	ISO Thread Size in.	Dimensions mm		
		A	E	F
1/8	1/8	29.5	2.00	11.1
	1/4	34.8		14.3
1/4	1/8	31.8	4.30	11.1
	1/4	37.1		14.3
3/8	1/4	38.9	6.90	14.3
	3/8	39.6		17.5
1/2	1/2	45.2	9.4	22.2
	3/8	44.5		14.3
3/4	1/2	50.8	14.70	17.5
	3/4	52.30		27
1	1	66.00	20.30	34.9

Tube OD	ISO Thread Size in.	Dimensions mm		
		A	E	F
6	1/8	32.8	4.1	12
	1/4	38.1		14
8	1/4	39.1	5.6	14
10	1/4	39.9	7.1	14
	3/8	40.6		18
12	1/4	46.5	7.1	16
	3/8	46.2	8.8	18
	1/2	51.8	8.8	22
28	1	74.7	22.2	35
	1 1/4	76.2	22.5	46
	1	68.6	22.2	35
	1 1/4	70.1	22.6	45
30	1 1/4	80.0	24.3	46
32	1 1/4	81.0	26.5	46
38	1 1/2	92.2	31.6	55



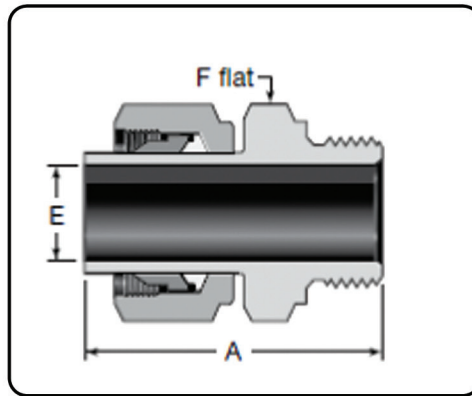


BSPP (RS)

Tube OD in	ISO Thread Size in.	Dimensions mm		
		A	E	F
1/8	1/8	31.8	2.00	14.3
	1/4	36.3		19.1
1/4	1/8	34.3	4.1	14.3
	1/4	38.9	4.3	19.1
3/8	1/4	40.4	5.8	19.1
	3/8	41.4	6.9	22.2
1/2	1/4	47	5.8	19.1
	3/8	47.8	7.9	22.2
	1/2	49.8	9.4	27
3/4	3/4	55.90	14.70	33.3
1	1	65.80	20.30	41.3

Tube OD	ISO Thread Size in.	Dimensions mm		
		A	E	F
6	1/8	34.3	4.0	14
	1/4	38.9	4.1	19
8	1/4	39.6	5.6	19
10	1/4	40.4	5.9	19
	3/8	41.1	7.1	22
	1/2	43.2	7.1	27
12	1/4	47.0	5.9	19
	3/8	47.8	7.9	22
	1/2	49.8	8.8	27
18	1/2	51.3	11.9	27
	3/4	55.9	13.9	35
28	1	71.9	19.8	41
	1 1/4	75.4	22.5	50
	1	65.8	19.8	41
	1 1/4	69.3	22.6	50
30	1 1/4	79.8	24.3	50
32	1 1/4	80.8	26.5	50
38	1 1/2	91.9	31.6	55

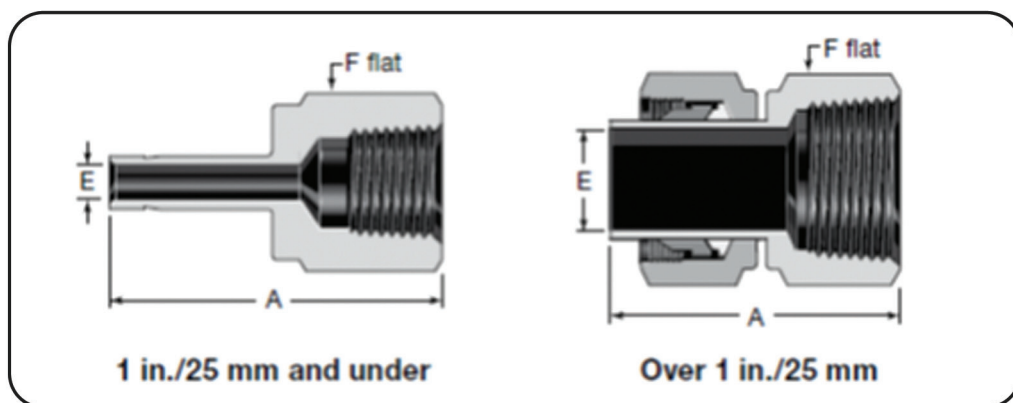




BSPP (RP)

Tube OD	ISO Thread Size in.	Dimensions mm		
		A	E	F
28	1	72.7	19.8	41
	1 1/4	77.3	22.5	50
	1	65.8	19.8	41
	1 1/4	71.1	22.6	50
30	1 1/4	81.1	24.3	50
32	1 1/4	82.1	26.5	50
38	1 1/2	94.5	31.8	55





NPT

Tube OD in	NPT Size in.	Dimensions mm		
		A	E	F
1/8	1/8	31.5	2.00	14.3
	1/4	35.3		19.1
3/16	1/4	35.80	3.00	19.1
1/4	1/8	33	4.30	14.3
	1/4	37.1		19.1
	3/8	39.4		22.2
	1/2	45.5		27
5/16	1/4	37.60	5.60	19.1
3/8	1/8	34.3	6.90	14.3
	1/4	38.1		19.1
	3/8	40.4		22.2
	1/2	46.7		27
1/2	1/4	43.4	9.40	19.1
	3/8	45.5		22.2
	1/2	52.1		27
5/8	1/2	53.10	11.90	27
3/4	1/2	52.8	14.70	27
	3/4	54.9		33.3
	1	58.4		41.3
1	3/4	60.7	20.30	33.3
	1	64.3		41.3
1 1/4	1 1/4	77.70	25.90	54
1 1/2	1 1/2	88.90	31.80	60.3
2	2	107.40	43.70	73

Tube OD	NPT Size in.	Dimensions mm		
		A	E	F
6	1/8	32.5	4.1	14
	1/4	37.1		19
8	1/4	37.6	5.6	19
10	1/4	38.1	7.1	19
	3/8	40.1		22
	1/2	46.7		27
12	1/4	43.7	8.8	19
	1/2	52.3		27



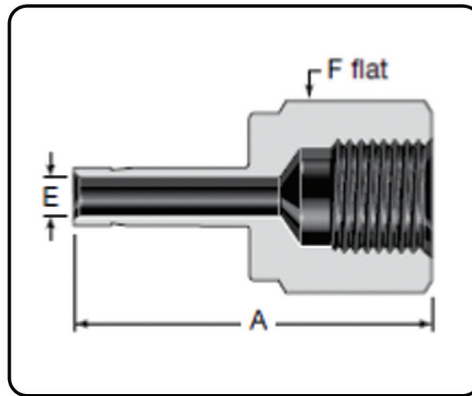


BSPT (RT)

Tube OD in	ISO Thread Size in.	Dimensions mm		
		A	E	F
1/4	1/8	33	4.30	14.3
	1/4	36.8		19.1
3/8	1/4	38.1	6.90	19.1
	3/8	40.4		22.2
1/2	1/4	43.4	9.40	19.1
	3/8	45.7		22.2
	1/2	52.1		27

Tube OD	ISO Thread Size in.	Dimensions mm		
		A	E	F
6	1/8	33.0	4.1	14
8	1/4	37.6	5.6	19
10	1/4	38.1	7.1	19



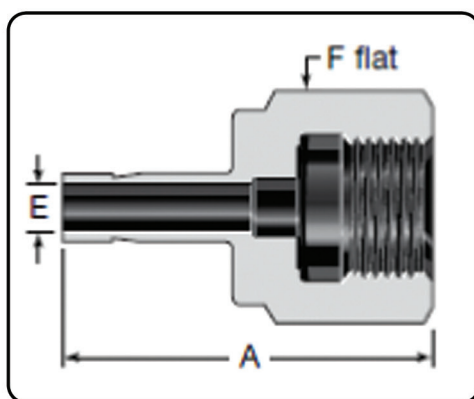


BSPP (RP)

Tube OD in	ISO Thread Size in.	Dimensions mm		
		A	E	F
1/8	1/8	29.70	2.00	14.3
	1/4	31.8	4.30	14.3
3/8	1/4	38.1	6.90	19.1
	3/8	39.4	6.90	23.8
1/2	3/8	39.9	9.70	23.8
	1/2	45.2	9.70	27

Tube OD	ISO Thread Size in.	Dimensions mm		
		A	E	F
6	1/8	32.0	4.1	14
	1/4	37.8	4.1	19
12	1/2	49.8	8.8	27



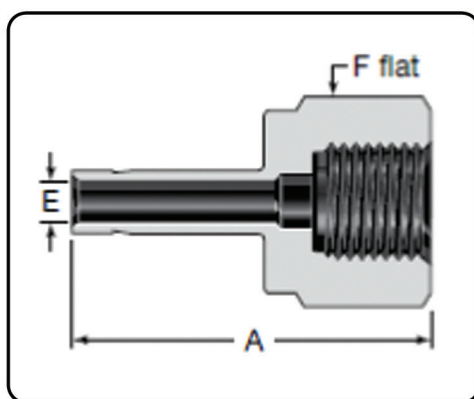


BSPP (RJ)

Tube OD in	ISO Thread Size in.	Dimensions mm		
		A	E	F
1/4	1/4	35.30	4.30	19.1
3/8	3/8	39.40	6.60	23.8
1/2	1/2	49.30	7.10	27

Tube OD	ISO Thread Size in.	Dimensions mm		
		A	E	F
6	1/4	35.3		19
	3/8	38.6	4.1	24
	1/2	42.9		27
8	1/4	33.0	5.5	19
	3/8	39.4	5.6	24
	1/2	43.7	5.6	27
10	1/4	34.5	5.5	19
	3/8	36.1	6.5	24
	1/2	41.1	7.1	27
12	1/4	40.1	5.5	19
	3/8	44.7	6.5	24
	1/2	48.8	7.0	27



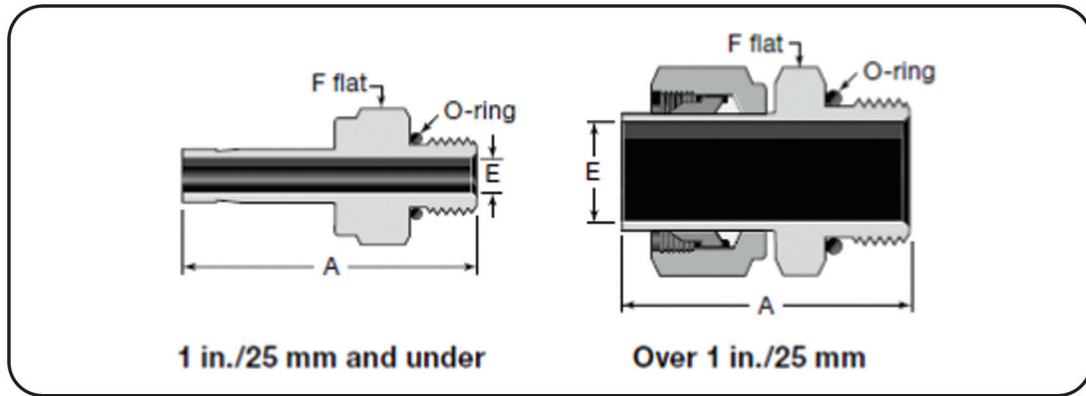


BSPP (RG)

Tube OD in	ISO Thread Size in.	Dimensions mm		
		A	E	F
1/4	1/4	35.30	4.30	19.1
3/8	3/8	39.40	6.60	23.8
1/2	1/2	45.70	7.10	27

Tube OD	ISO Thread Size in.	Dimensions mm		
		A	E	F
6	1/4	35.3		19
	3/8	38.4	4.1	24
	1/2	42.9		27
8	1/4	33.0	5.5	19
	3/8	38.9	5.6	24
	1/2	43.7	5.6	27
10	1/4	34.5	5.5	19
	3/8	36.1	6.5	24
	1/2	41.1	7.1	27
12	1/4	40.1	5.5	19
	3/8	44.7	6.5	24
	1/2	48.8	7.0	27
16	1/2	49.0	7.0	27
18	1/2	49.3	7.0	27

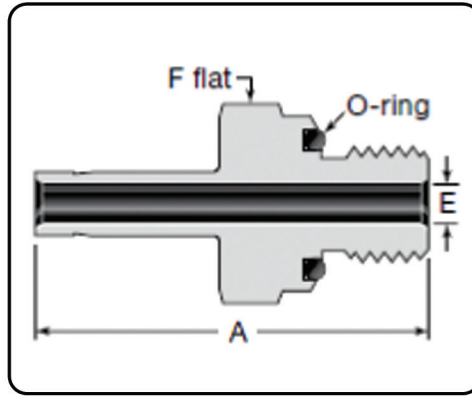




STRAIGHT THREAD (ST)

Tube OD in	SAE/MS Thread Size	Dimensions mm		
		A	E	F
1/8	5/16-24	30.50	2.00	11.1
1/4	7/16-20	35.30	4.30	14.3
3/8	7/16-20	37.1	5.1	14.3
	9/16-18	38.6	6.9	17.5
1/2	3/4-16	40.6	6.9	22.2
	9/16-18	44.2	7.1	17.5
5/8	3/4-16	46.2	9.4	22.2
	7/8-14	49.30	11.90	25
3/4	1 1/16-12	53.30	14.70	31.8
1	1 5/16-12	61.20	20.30	38.1
1 1/4	1 5/8-12	71.40	25.90	47.6
1 1/2	1 7/8-12	83.30	31.80	54
2	2 1/2-12	107.40	43.70	69.9





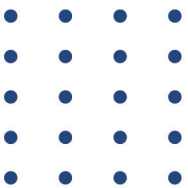
STRAIGHT THREAD

Tube OD in.	SAE/MS Thread Size	Dimensions mm		
		A	E	F
1/8	5/16-24	32.50	2.00	14.3
3/16	3/8-24	35.10	3.00	15.9
1/4	7/16-20	39.10	4.30	19.1
5/16	1/2-20	41.70	5.60	22.2
3/8	9/16-18	43.20	6.90	23.8
1/2	3/4-16	49.50	9.40	28.6





Follow us at :



For more details, Contact at :

- +91 9930568025
- sales@maffsvalves.com
- www.maffsvalves.com

CORPORATE & FACTORY :

Gala No. 9, Building No. 3, Patel Industrial Estate, Gokhivare,
Range Office, Vasai East, Palghar - 401208