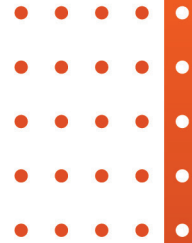




Sealant Injection Fittings



MAFFS VALVES & FITTINGS PVT LTD

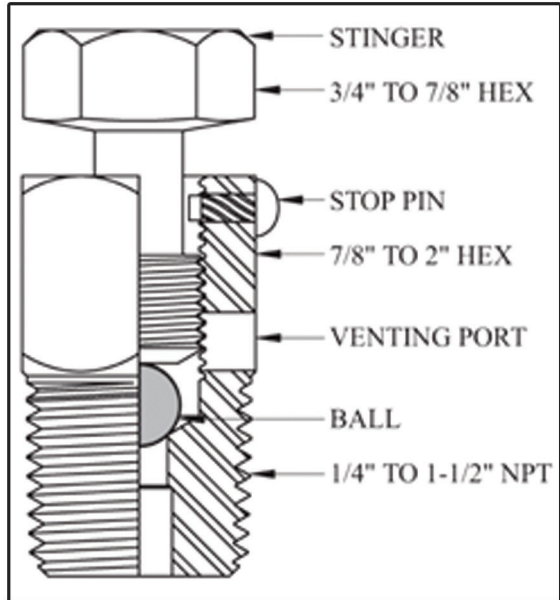
Manufacturer of Industrial Valves, Instrumentation Valves & Fittings



BODY VENT/BLEEDER FITTINGS

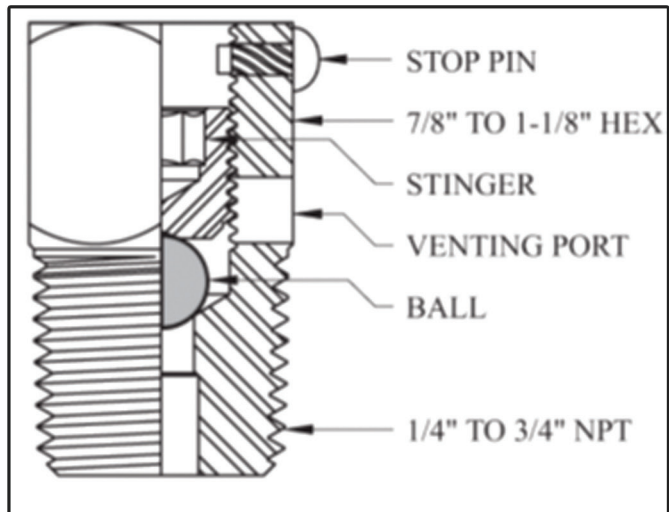
STANDARD HEX HEAD

Sizes: 1/4" NPT, 3/8" NPT, 1/2" NPT, 3/4" NPT, 1" NPT, 1 1/4" NPT & 1 1/2" NPT



HEX SOCKET HEAD

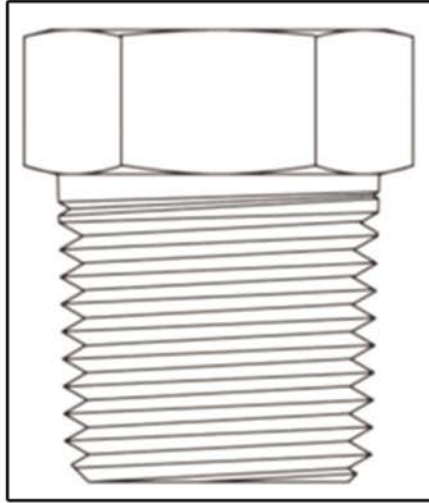
Sizes: 1/4" NPT, 3/8" NPT, 1/2" NPT & 3/4" NPT





CAVITY PLUGS

Sizes: 1/2" NPT, 3/4" NPT & 1" NPT





Follow us at :



For more details, Contact at :

- +91 9930568025
- sales@maffsvalves.com
- www.maffsvalves.com

CORPORATE & FACTORY :

Gala No. 9, Building No. 3, Patel Industrial Estate, Gokhivare,
Range Office, Vasai East, Palghar - 401208

