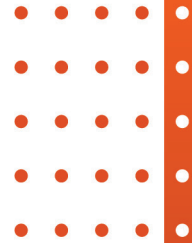
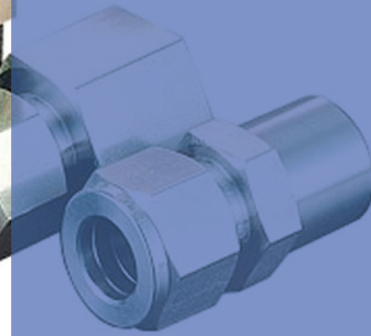


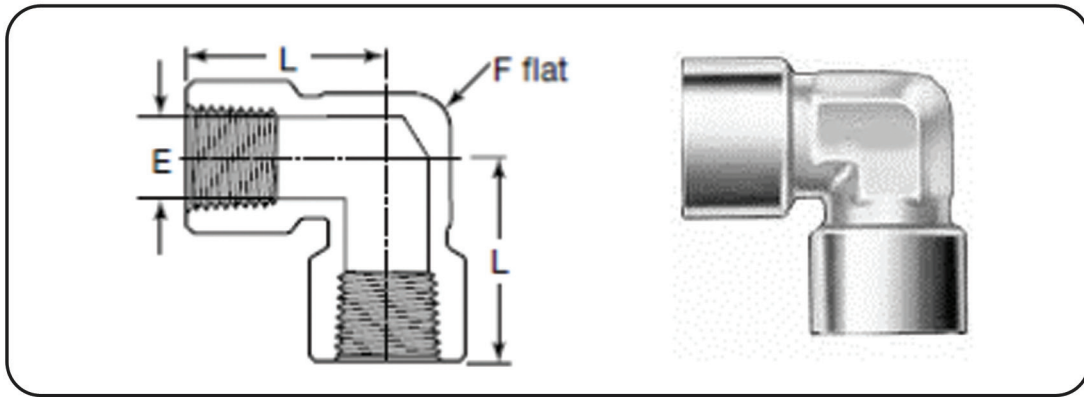


## Pipe Fittings



# MAFFS VALVES & FITTINGS PVT LTD

Manufacturer of Industrial Valves, Instrumentation Valves & Fittings



## FEMALE NPT

NPT Size in.	Dimensions mm		
	E	L	F
1/8	8.6	26.4	12.7
1/4	11.4	29.7	17.5
3/8	15	36.1	20.6
1/2	18.5	39.6	25
3/4	23.9	48.8	31.8
1	29.7	48.5	42.9
<b>Heavy-Wall Female NPT</b>			
1/4	11.4	39.6	25
1/2	18.5	50	42.9

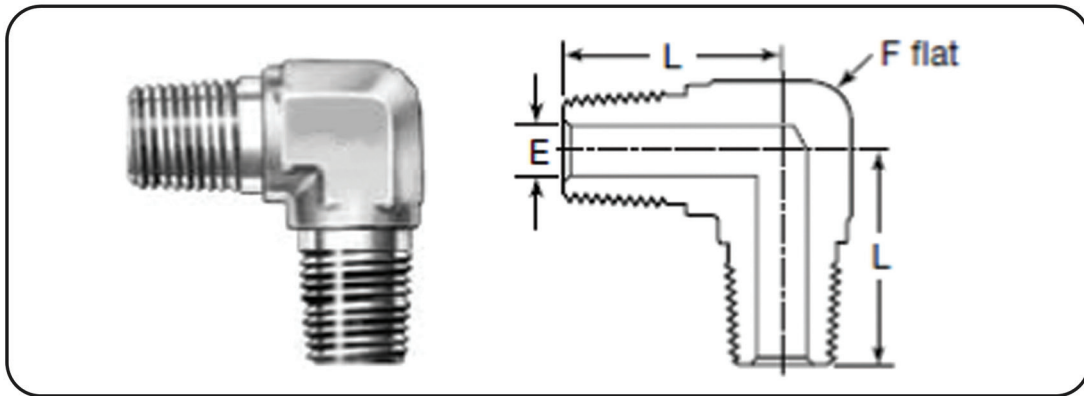
## FEMALE ISO TAPERED THREAD (RT)

ISO Thread Size in.	Dimensions mm		
	E	L	F
1/4	11.2	29.7	17.5
3/8	14.7	36.1	20.6
1/2	18.3	39.6	25.4



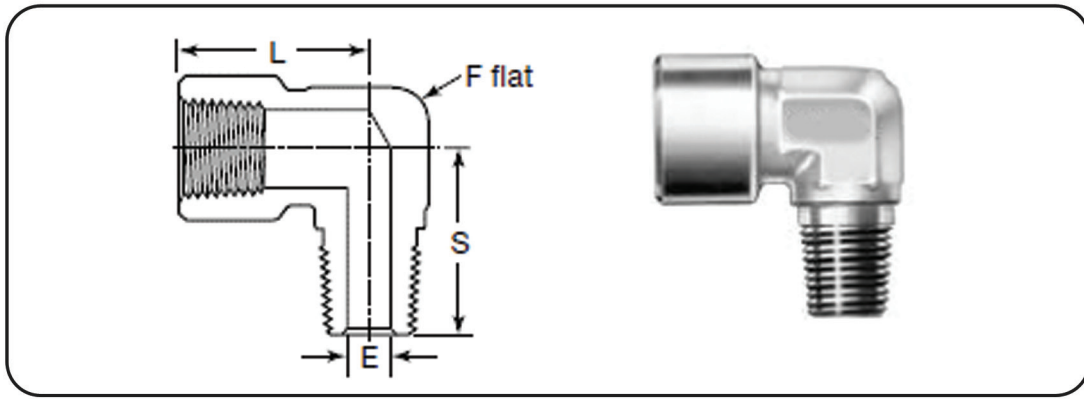


# MALE NPT



NPT Size in.	Dimensions mm		
	E	L	F
1/8	4.8	22.4	11.1
1/4	7.1	26.7	12.7
3/8	9.6	29.7	17.5
1/2	11.9	36.8	20.6

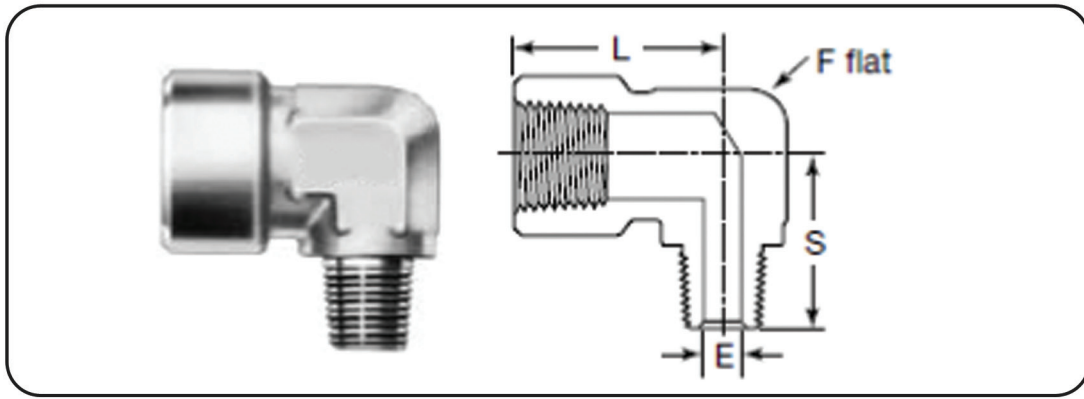




## FEMALE TO MALE NPT

NPT Size in.	Dimensions mm			
	E	L	S	F
1/16	3	21.8	22.4	11.1
1/8	4.8	26.4	22.1	12.7
1/4	7.1	29.7	29.7	17.5
3/8	9.6	36.1	32	20.6
1/2	11.9	39.6	39.6	25
3/4	15.7	48.8	42.4	31.8
1	22.4	48.5	49.3	42.9





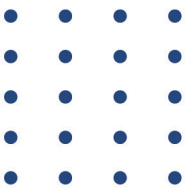
## FEMALE TO MALE NPT

Female NPT Size in.	Male NPT Size in.	Dimensions mm			
		E	L	S	F
1/8	1/16	3	26.4	22.1	12.7
1/4	1/8	4.8	29.7	25.4	17.5
3/8	1/4	7.1	36.1	32	20.6
1/2	1/4	7.1	39.6	35.1	25.4
	3/8	9.6	39.6	35.1	25.4





Follow us at :



For more details, Contact at :

- +91 9930568025
- sales@maffsvalves.com
- www.maffsvalves.com

**CORPORATE & FACTORY :**

Gala No. 9, Building No. 3, Patel Industrial Estate, Gokhivare,  
Range Office, Vasai East, Palghar - 401208