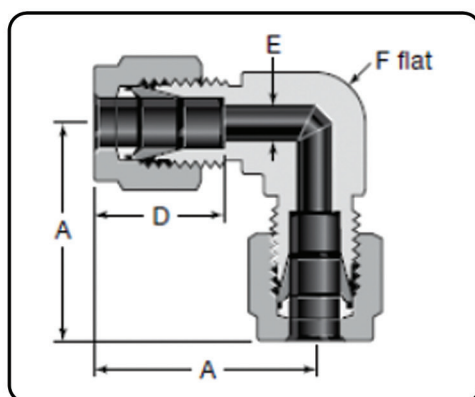


Tube Fittings



MAFFS VALVES & FITTINGS PVT LTD

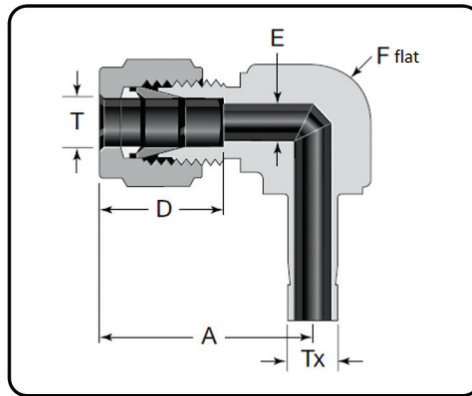
Manufacturer of Industrial Valves, Instrumentation Valves & Fittings



Tube OD in	Dimensions mm			
	A	D	E	F
1/16	17.80	8.60	1.30	9.5
1/8	22.40	12.70	2.30	9.5
3/16	25.40	13.70	3.00	12.7
1/4	26.90	15.20	4.80	12.7
5/16	28.70	16.30	6.40	12
3/8	30.50	16.80	7.10	15.9
1/2	36.10	22.90	10.40	20.6
5/8	38.10	24.40	12.70	23.8
3/4	39.90	24.40	15.70	27
7/8	44.70	25.90	18.30	34.9
1	49.00	31.20	22.40	34.9
1 1/8	55.10	31.20	24.60	42.9
1 1/4	67.80	41.10	27.70	42.9
1 1/2	78.70	50.00	34.00	51
2	107.20	67.60	46.00	69.9

Tube OD	Dimensions mm			
	A	D	E	F
3	22.3	12.9	2.4	9.5
4	25.4	13.7	2.4	12.7
6	27.0	15.3	4.8	12.7
8	28.8	16.2	6.4	14.3
10	31.5	17.2	7.9	17.5
12	36.0	22.8	9.5	20.6
14	38.0	24.4	11.1	23.8
15	38.0	24.4	11.9	23.8
16	38.0	24.4	12.7	23.8
18	39.8	24.4	15.1	27
20	44.6	26.0	15.9	34.9
22	44.6	26.0	18.3	34.9
25	49.1	31.3	21.8	34.9
28	64.0	36.6	21.8	41
	55.4	31.6	24.6	42.9
30	69.9	39.6	26.2	46
32	72.3	42.0	28.6	46
38	84.0	49.4	33.7	55
50	106	65.0	45.2	69.9

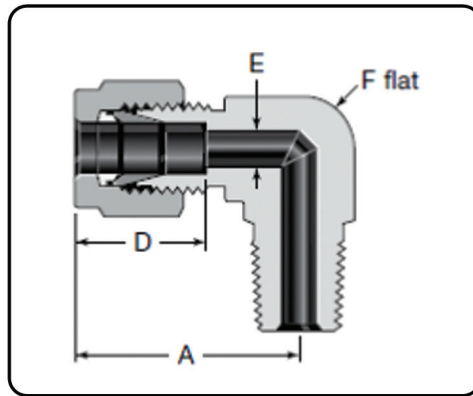




Tube OD in		Dimensions mm			
T	Tx	A	D	E	F
1/4	1/4	26.90	15.20	4.30	12.7
3/8		30.50	16.80	4.30	15.9
3/8	3/8	30.50	16.80	6.90	15.9
1/2		36.10	22.90	6.90	20.6
1/2	1/2	36.10	22.90	9.40	20.6

Tube OD		Dimensions mm			
T	Tx	A	D	E	F
6	6	27.0	15.3	4.6	12.7
12	12	38.1	22.8	8.8	23.8

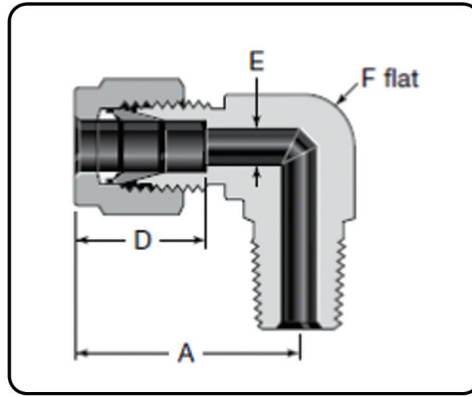




NPT

Tube OD in	NPT Size in	Dimensions mm			
		A	D	E	F
1/16	1/16	19.10	8.60	1.30	11.1
	1/8				
1/8	1/16	23.6			11.1
	1/8	23.6	12.70	2.30	11.1
	1/4	24.6			12.7
3/16	1/8	25.40	13.70	3.00	12.7
	1/4				
1/4	1/16	26.9		3	12.7
	1/8	26.9		4.8	12.7
	1/4	26.9	15.20	4.8	12.7
	3/8	29.7		4.8	17.5
	1/2	31.8		4.8	20.6
5/16	1/8	28.7		4.8	14.3
	1/4	28.7	16.30	6.4	14.3
	3/8	30.5		6.4	17.5
3/8	1/8	30.5		4.8	15.9
	1/4	30.5		7.1	15.9
	3/8	31.2	16.80	7.1	17.5
	1/2	33.3		7.1	20.6
	3/4	37.1		7.1	27
1/2	1/4	36.1		7.1	20.6
	3/8	36.1	22.90	9.7	20.6
	1/2	36.1		10.4	20.6
	3/4	39.9		10.4	27
5/8	3/8	38.1		9.7	23.8
	1/2	38.1	24.40	11.9	23.8
	3/4	39.9		12.7	27
3/4	1/2	39.90	24.40	11.9	27
	3/4			15.7	
7/8	3/4	44.70	25.90	15.7	34.9
1	3/4	49.00	31.20	15.7	34.9
	1			22.4	
1 1/4	1 1/4	67.80	41.10	27.7	42.9
1 1/2	1 1/2	78.70	50.00	34	51
2	2	107.20	67.60	46	69.9

Tube OD	NPT Size in	Dimensions mm			
		A	D	E	F
3	1/8	23.6	12.9	2.4	11.1
	1/4	24.6			12.7
4	1/8	25.4	13.7	2.4	12.7
	1/4				
6	1/8	27.0			12.7
	1/4	27.0	15.3	4.8	12.7
	3/8	29.8			17.5
	1/2	31.8			20.6
8	1/8	28.8		4.8	14.3
	1/4	28.8	16.2	6.4	14.3
	3/8	30.6		6.4	17.5
	1/2	32.6		6.4	20.6
10	1/8	31.5		4.8	17.5
	1/4	31.5	17.2	7.1	17.5
	3/8	31.5		7.9	17.5
	1/2	33.5		7.9	20.6
12	1/4	36.0		7.1	20.6
	3/8	36.0	22.8	9.5	20.6
	1/2	36.0		9.5	20.6
	3/4	39.8		9.5	27
14	1/2	38.0	24.4	11.1	23.8
15	1/2	38.0	24.4	11.9	23.8
16	3/8	38.0		9.5	23.8
	1/2	38.0	24.4	11.9	23.8
	3/4	39.8		12.7	27
18	1/2	39.8	24.4	11.9	27
	3/4			15.1	
20	1/2	44.6	26.0	11.9	34.9
	3/4			15.9	
22	3/4	44.6	26.0	15.9	34.9
	1			18.3	
25	3/4	49.1	31.3	15.9	34.9
	1			21.8	
30	1 1/4	69.9	39.6	26.2	46
32	1 1/4	72.3	42.0	27.8	46
38	1 1/2	84.0	49.4	33.7	55

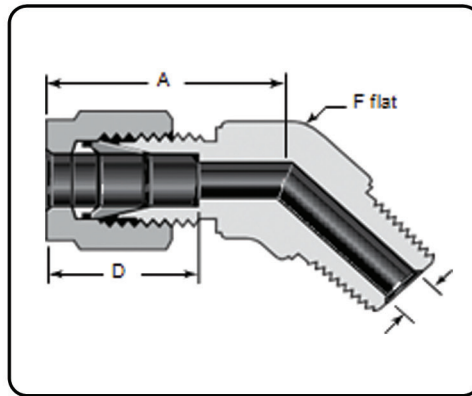


BSPT THREAD

Tube OD in	ISO Thread Size in	Dimensions m			
		A	D	E	F
1/8	1/8	21.1	12.70	2.30	11.1
	1/4	24.6			12.7
1/4	1/8	26.9	15.20	4.80	12.7
	1/4	26.9			12.7
	3/8	29.7			17.5
	1/2	31.8			20.6
5/16	1/4	28.70	16.30	6.40	14.3
3/8	1/8	30.5	16.80	7.10	15.9
	1/4	30.5			15.9
	3/8	31.2			17.5
1/2	1/4	36.10	22.90	7.1	20.6
	3/8			9.7	
	1/2			10.4	
3/4	1/2	39.90	24.40	11.90	34.9
1	1	49.00	31.20	22.40	34.9

Tube OD	ISO Thread Size in	Dimensions mm			
		A	D	E	F
3	1/8	23.6	12.9	2.4	11.1
	1/4	24.6			12.7
4	1/8	25.4	13.7	2.4	12.7
	1/4				
6	1/8	27.0	15.3	4.8	12.7
	1/4	27.0			12.7
	3/8	29.8			17.5
	1/2	31.8			20.6
8	1/8	28.8	16.2	4.8	14.3
	1/4	28.8			14.3
	3/8	30.6			17.5
	1/2	32.6			20.6
10	1/4	31.5	17.2	7.1	17.5
	3/8	31.5			17.5
	1/2	33.5			20.6
12	1/8	36.0	22.8	4.8	20.6
	1/4	36.0			20.6
	3/8	36.0			20.6
	1/2	36.0			20.6
	3/4	39.8			27
14	1/2	38.1	24.4	11.1	23.8
15	1/2	38.1	24.4	11.9	23.8
16	3/8	38.0	24.4	9.5	23.8
	1/2			11.9	
18	1/2	39.8	24.4	11.9	27
	3/4			15.1	
20	1/2	44.6	26.0	11.9	34.9
	3/4			15.9	
22	3/4	44.6	26.0	15.9	34.9
	1			18.3	
25	3/4	49.1	31.3	15.9	34.9
	1			21.8	
28	1	64.0	36.6	21.8	41
	1	55.4	31.6	22.2	42.9

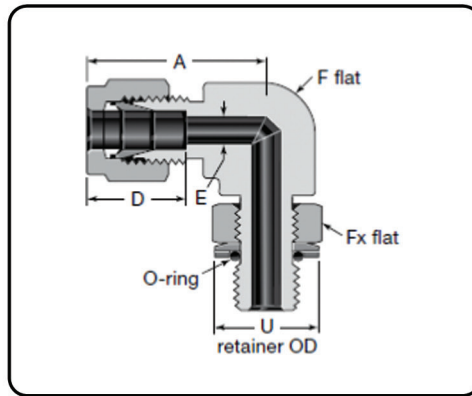




NPT

Tube OD in	NPT Size in	Dimensions mm			
		A	D	E	F
1/4	1/8	24.60	15.20	4.80	12.7
	1/4				
3/8	1/8	27.9	16.80	4.8	15.9
	1/4	27.9		7.1	15.9
	3/8	29.2	7.1	20.6	
1/2	3/8	32.00	22.90	9.7	20.6
	1/2			10.4	
3/4	3/4	33.80	24.40	15.70	27
1	1	40.40	31.20	22.40	34.9



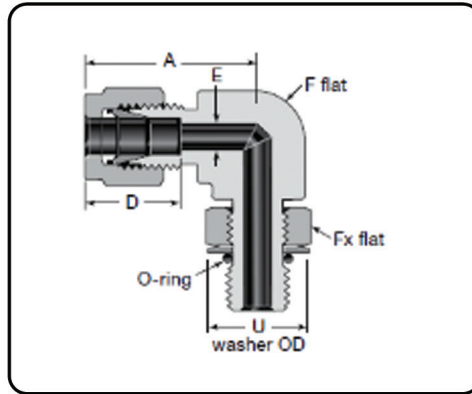


BSPP THREAD

Tube OD in	ISO Thread Size in.	Dimensions mm					
		A	D	E	F	Fx	U
1/4	1/8	26.9	15.20	4.1	12.7	14.3	15.2
	1/4	29		4.8	15.9	19.1	20.3
3/8	1/4	30.5	16.80	5.8	15.9	19.1	20.3
	3/8	33.3		7.1	20.6	22.2	24.4
1/2	1/4	36.1	22.90	5.8	20.6	19.1	20.3
	3/8	36.1		7.9	20.6	22.2	24.4
	1/2	38.1		10.4	23.8	27	29.5
5/8	1/2	38.10	24.40	11.90	23.8	27	29.50
3/4	1/2	39.90	24.40	11.9	27	27	29.5
	3/4			15.7		34.9	36.6
1	3/4	49.00	31.20	15.7	34.9	34.9	36.3
	1			19.8		41.3	46.2

Tube OD	ISO Thread Size in.	Dimensions mm					
		A	D	E	F	Fx	U
6	1/8	27.0	15.3	4.0	12.7	14.3	15.2
	1/4	29.0		4.8	15.9	19.1	20.3
8	1/8	28.8	16.2	4.0	14.3	14.3	15.2
	1/4	29.9		5.9	15.9	19.1	20.3
10	1/4	33.5	17.2	5.9	20.6	19.1	20.3
	3/8			7.9		22.2	24.4
12	1/4	36.0	22.8	5.9	20.6	19.1	20.3
	3/8	36.0		7.9	20.6	22.2	24.4
	1/2	38.0		9.5	23.8	27	29.5
	3/4	39.8		9.5	27	34.9	36.3

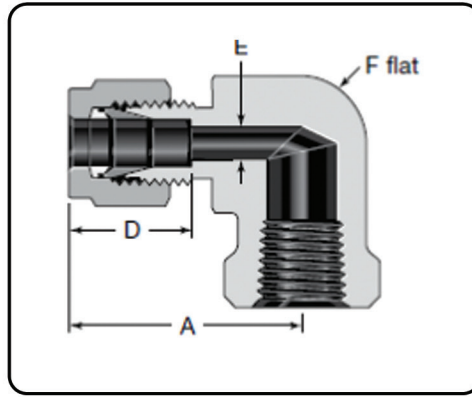




STRAIGHT THREAD

Tube OD in	SAE/MS Thread Size in	Dimensions mm					
		A	D	E	F	Fx	U
1/4	7/16-20	28.4	15.20	4.80	12.7	14.3	16.5
	9/16-18	30.5			15.9	17.5	20.1
5/16	1/2-20	30.20	16.30	5.80	14.3	15.9	18.30
3/8	7/16-20	32	16.80	5.1	15.9	14.3	16.5
	9/16-18	32		7.1	15.9	17.5	20.1
	3/4-16	34.8		7.1	20.6	22.2	25.7
1/2	9/16-18	37.60	22.90	7.1	20.6	17.5	20.1
	3/4-16			10.4		22.2	25.7
5/8	7/8-14	39.60	24.40	12.70	23.8	25.4	29.50
3/4	1 1/16-12	41.40	24.40	15.70	27	31.8	36.60
7/8	1 3/16-12	43.20	25.90	18.30	30.2	34.9	40.40
1	1 5/16-12	50.50	31.20	22.40	34.9	38.1	43.90
1 1/4	1 5/8-12	67.80	41.10	27.70	42.9	47.6	54.90
1 1/2	1 7/8-12	78.00	50.00	34.00	51	54	62.20
2	2 1/2-12	107.20	67.60	46.00	69.9	69.9	80.30



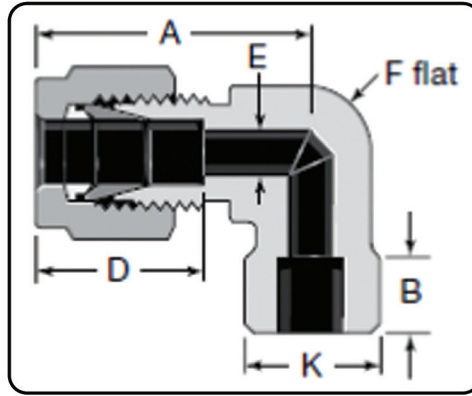


NPT

Tube OD in	NPT Size in	Dimensions mm			
		A	D	E	F
1/8	1/8	24.6			12.7
	1/4	27.4	12.70	2.30	17.5
3/16	1/8	25.40	13.70	3.00	12.7
1/4		26.9			12.7
	1/8	29.7			17.5
	3/8	31.8			20.6
	1/2	34.5	15.20	4.80	25.4
5/16	1/8	28.7			14.3
	1/4	30.5	16.30	6.40	17.5
3/8		30.5			15.9
	1/8	31.2			17.5
	3/8	33.3			20.6
	1/2	36.1	16.80	7.10	25.4
1/2	1/4	36.1			20.6
	3/8	36.1			20.6
	1/2	38.9	22.90	10.40	25.4
5/8	3/8	38.1			23.8
	1/2	39.9	24.40	12.70	27
3/4	1/2	39.9			27
	3/4	44.7	24.40	15.70	34.9
7/8	3/4	44.70	25.90	18.30	34.9
1	3/4	49			34.9
	1	53.6	31.20	22.40	42.9

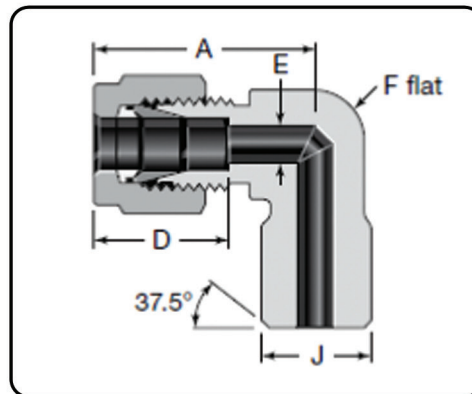
Tube OD	NPT Size in	Dimensions mm			
		A	D	E	F
6	1/8	27.0			12.7
	1/4	29.8	15.3	4.8	17.5
	1/2	34.6			25.4
8	1/4	30.6	16.2	6.4	17.5
10	1/8	31.5			17.5
	1/4	33.5	17.2	7.9	20.6
12	1/4	36.0			20.6
	1/2	38.8	22.8	9.5	25.4
16	1/2	39.5	24.4	12.7	27





SOCKET WELD

Tube OD in	Socket Weld Size in	Dimensions mm					
		A	B	D	E	F	K
1/4	1/4	26.90	7.10	15.20	4.80	12.7	12.70
3/8	3/8	30.50	7.90	16.80	7.10	15.9	16.00
1/2	1/2	36.10	9.70	22.90	10.40	20.6	20.60
3/4	3/4	39.90	11.20	24.40	15.70	27	26.90
1	1	49.00	15.70	31.20	22.40	34.9	35.10



BUTTWELD

Tube OD in	Pipe Weld Size in	Dimensions mm				
		A	D	E	F	J
1/4	1/8	26.90	15.20	4.80	12.7	10.3
	1/4					13.7
3/8	1/4	30.50	16.80	7.10	15.9	13.7
1/2	1/2	36.10	22.90	10.40	20.6	21.3
3/4	3/4	39.90	24.40	15.70	27	26.7





Follow us at :



For more details, Contact at :

- +91 9930568025
- sales@maffsvalves.com
- www.maffsvalves.com

CORPORATE & FACTORY :

Gala No. 9, Building No. 3, Patel Industrial Estate, Gokhivare,
Range Office, Vasai East, Palghar - 401208

