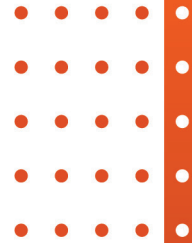




Sealant Injection Fittings



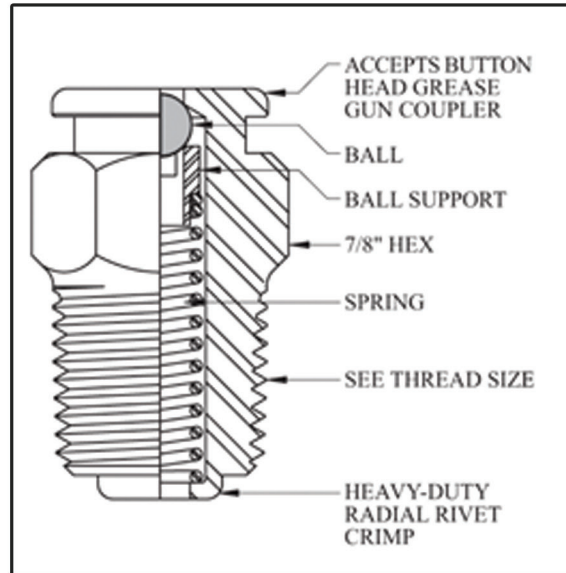
MAFFS VALVES & FITTINGS PVT LTD

Manufacturer of Industrial Valves, Instrumentation Valves & Fittings



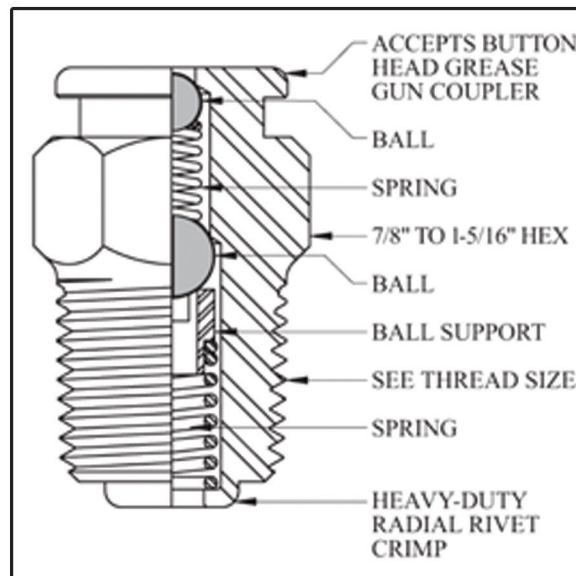
GIANT BUTTON HEAD FITTINGS SINGLE BALL CHECK

Sizes: 5/8" 11 UNC, 3/4" 10 UNC, 1/4" NPT, 3/8" NPT, 1/2" NPT, 3/4" NPT & 1" NPT.



DOUBLE BALL CHECK

Sizes: 3/8" 16 UNC, 1/8" NPT, 1/4" NPT, 3/8" NPT & 1/2" NPT





Follow us at :



For more details, Contact at :

- +91 9930568025
- sales@maffsvalves.com
- www.maffsvalves.com

CORPORATE & FACTORY :

Gala No. 9, Building No. 3, Patel Industrial Estate, Gokhivare,
Range Office, Vasai East, Palghar - 401208

