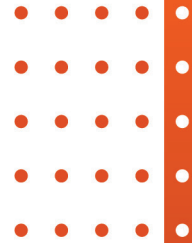




Sealant Injection Fittings



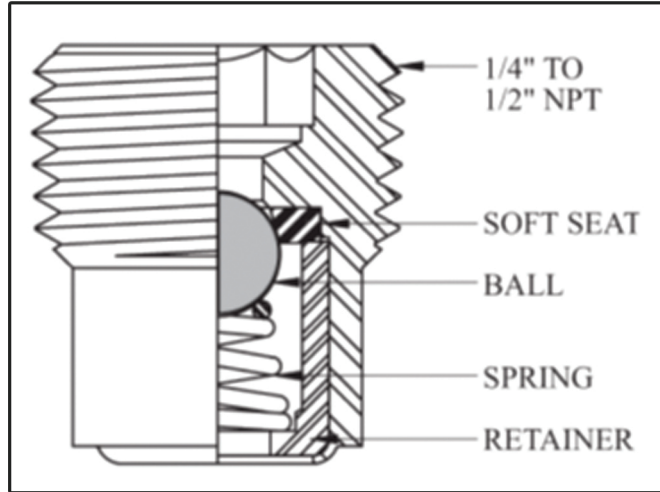
MAFFS VALVES & FITTINGS PVT LTD

Manufacturer of Industrial Valves, Instrumentation Valves & Fittings



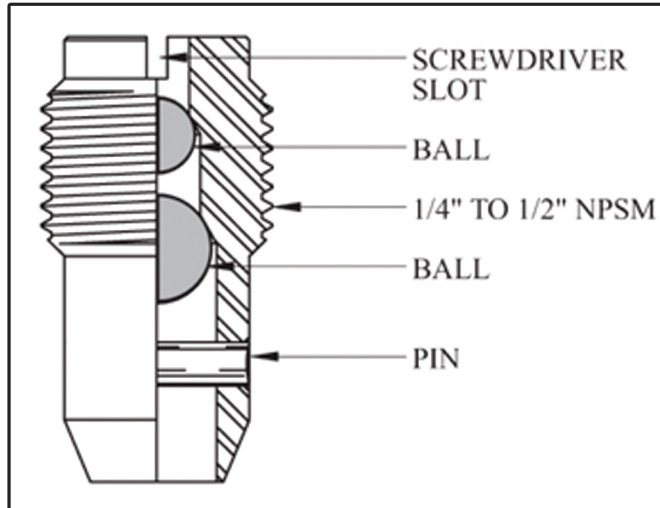
INTERNAL CHECK VALVE FITTINGS SOFT SEATED

Sizes: 1/4" NPT, 3/8" NPT & 1/2" NPT



METAL SEATED

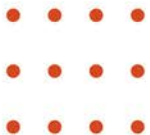
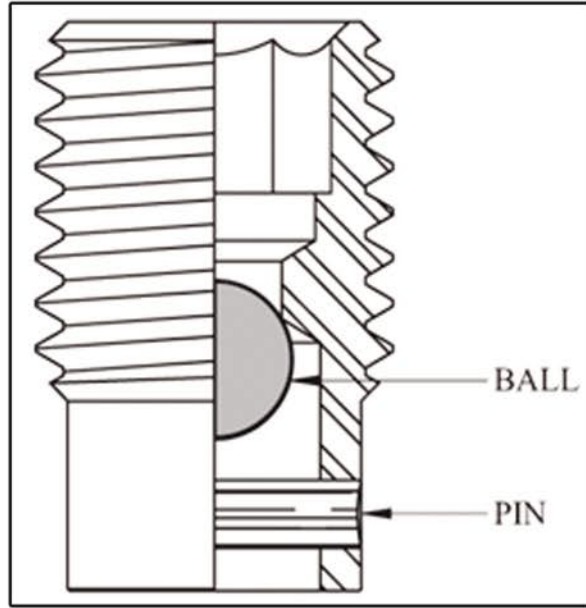
Sizes: 1/4" NPSM, 3/8" NPSM & 1/2" NPSM





METAL SEATED

Sizes: 3/4" 10 UNC, 7/8" 9 UNC & 1" 8 UNC





Follow us at :



For more details, Contact at :

- +91 9930568025
- sales@maffsvalves.com
- www.maffsvalves.com

CORPORATE & FACTORY :

Gala No. 9, Building No. 3, Patel Industrial Estate, Gokhivare,
Range Office, Vasai East, Palghar - 401208

