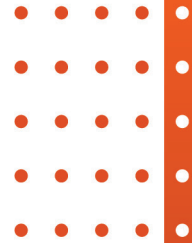




## Sealant Injection Fittings



# MAFFS VALVES & FITTINGS PVT LTD

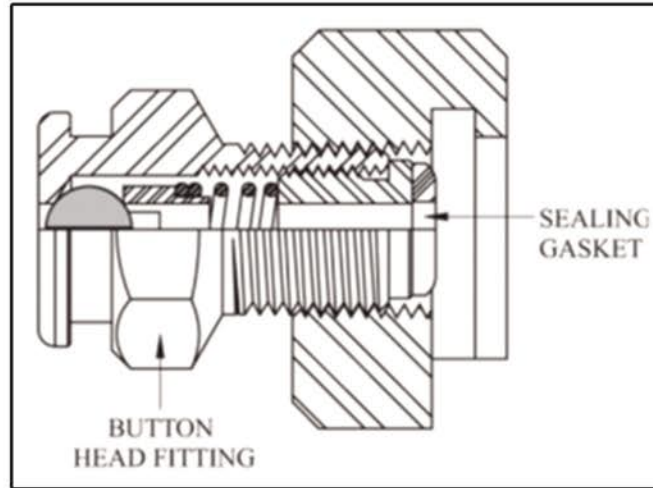
Manufacturer of Industrial Valves, Instrumentation Valves & Fittings



## LEAK LOCK FITTINGS

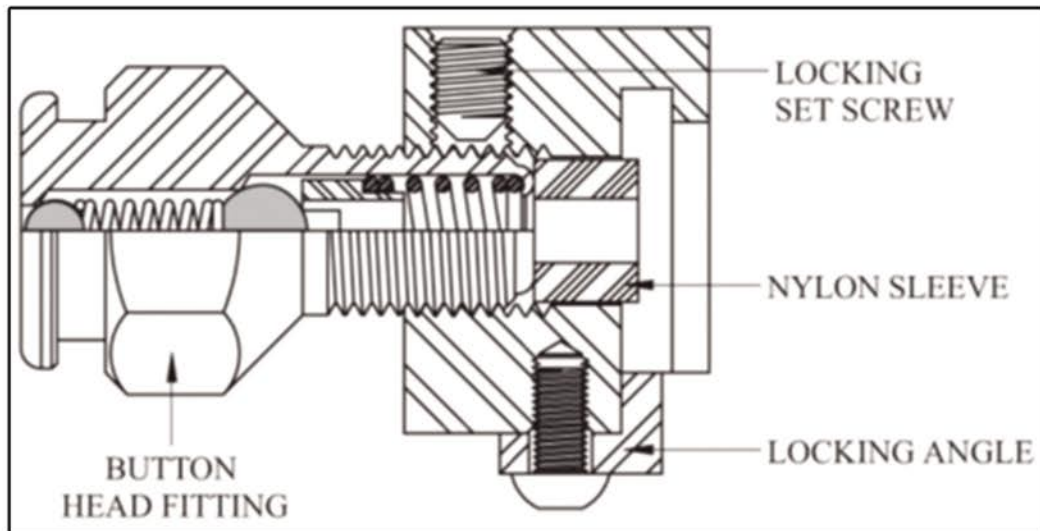
### STANDARD TYPE

Available in SS316 material.



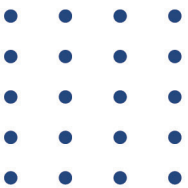
### LOCK ON TYPE

Available in SS316 material.





Follow us at :



For more details, Contact at :

- +91 9930568025
- sales@maffsvalves.com
- www.maffsvalves.com

**CORPORATE & FACTORY :**

Gala No. 9, Building No. 3, Patel Industrial Estate, Gokhivare,  
Range Office, Vasai East, Palghar - 401208