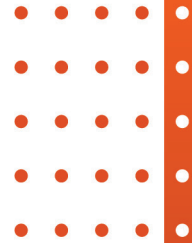
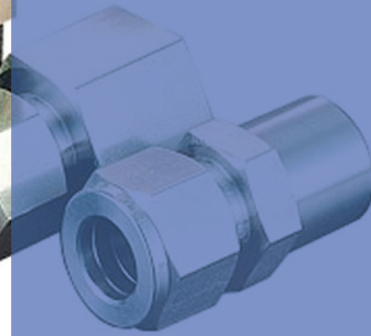


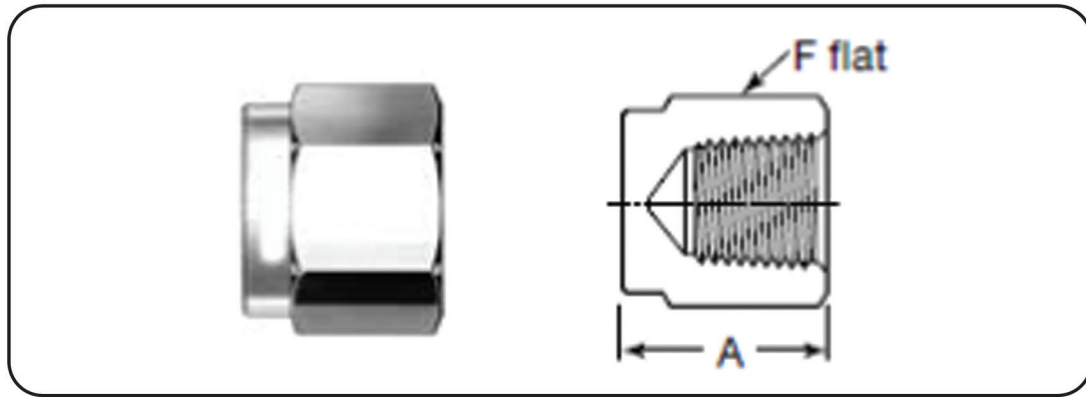


## Pipe Fittings



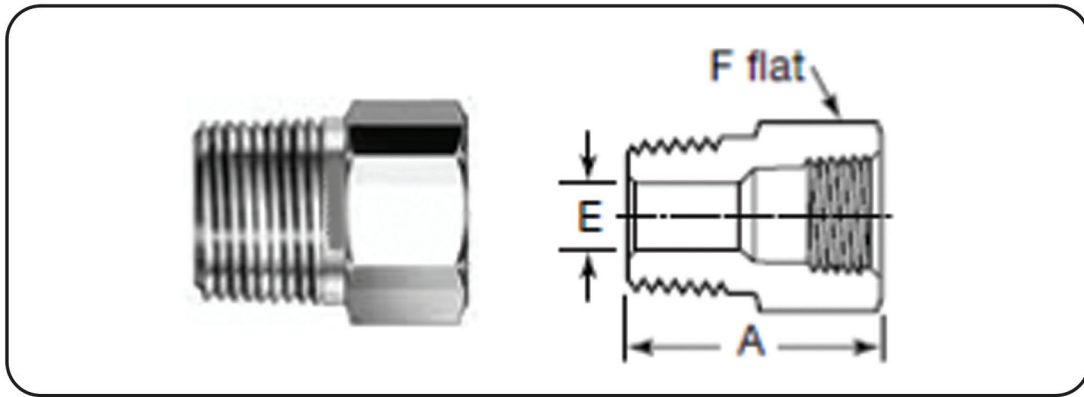
# MAFFS VALVES & FITTINGS PVT LTD

Manufacturer of Industrial Valves, Instrumentation Valves & Fittings



NPT Size in.	Dimensions mm	
	A	F
1/8	19.1	14.3
1/4	23.1	19.1
3/8	26.2	22.2
1/2	34	27
3/4	36.6	33.3
1	41.1	41.3
<b>Heavy-Wall Female NPT</b>		
1/4	28.2	25
1/2	40.1	38.1





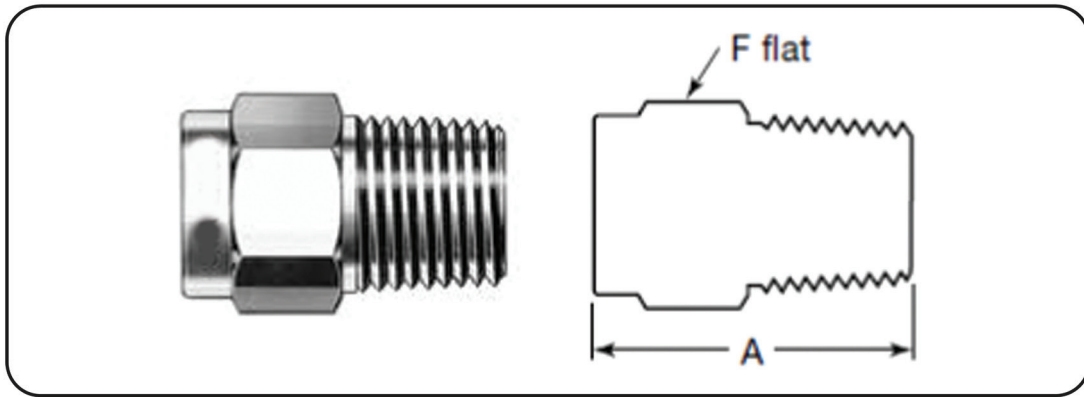
### MALE TO FEMALE NPT

Male NPT Size in.	Female NPT Size in.	Dimensions mm		
		A	E	F
1/8	1/16	26.2	4.8	11.1
1/4	1/8	26.9	7.1	14.3
3/8	1/8	21.8	8.6	17.5
	1/4	30.2	9.6	19.1
1/2	1/8	27.4	8.6	22.2
	1/4		11.4	
	3/8	35.8	11.9	
3/4	1/4	27.4	11.4	27
	3/8		15	
	1/2	41.4	15.7	
1	1/4	34.8	11.4	34.9
	3/8		15	
	1/2		18.5	
	3/4	47	22.4	

### MALE TO FEMALE ISO TAPERED THREAD (RT)

Male ISO Thread Size in.	Female ISO Thread	Dimensions mm		
		A	E	F
1/4	1/8	26.9	7.1	14.3
3/8	1/4	30.2	9.6	19.1
1/2	1/4	27.4	11.2	22.2
	3/8	35.8	11.9	

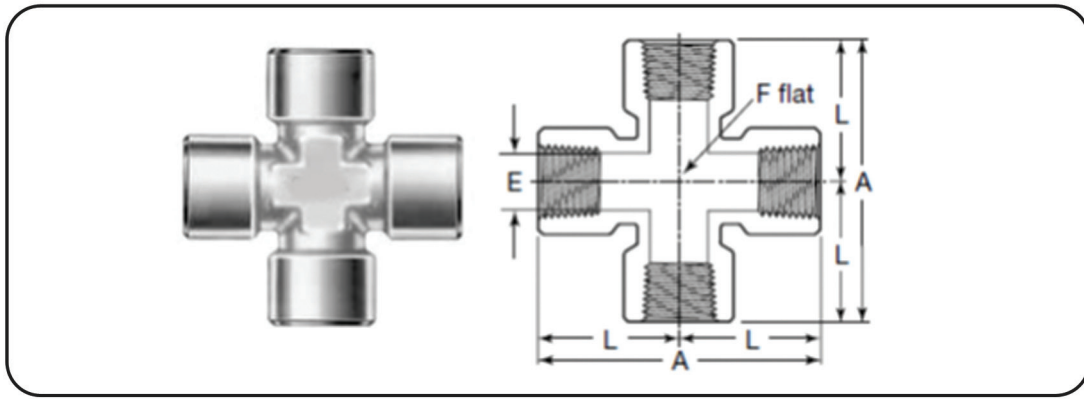




## MALE NPT

NPT Size in.	Dimensions mm	
	A	F
1/16	19.1	7.9
1/8	19.1	11.1
1/4	24.4	14.3
3/8	25.1	17.5
1/2	30.7	22.2
3/4	30.7	27
1	38.1	34.9





## FEMALE NPT

NPT Size in.	Dimensions mm			
	A	E	L	F
1/8	52.8	8.6	26.4	12.7
1/4	59.4	11.4	29.7	17.5
3/8	72.1	15	36.1	20.6
1/2	79.2	18.5	39.6	25
3/4	97.5	23.9	48.8	31.8
1	97	29.7	48.5	42.9







Follow us at :



For more details, Contact at :

- +91 9930568025
- sales@maffsvalves.com
- www.maffsvalves.com

**CORPORATE & FACTORY :**

Gala No. 9, Building No. 3, Patel Industrial Estate, Gokhivare,  
Range Office, Vasai East, Palghar - 401208

