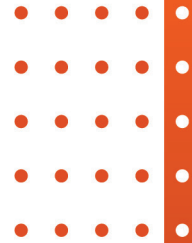




Tube Fittings

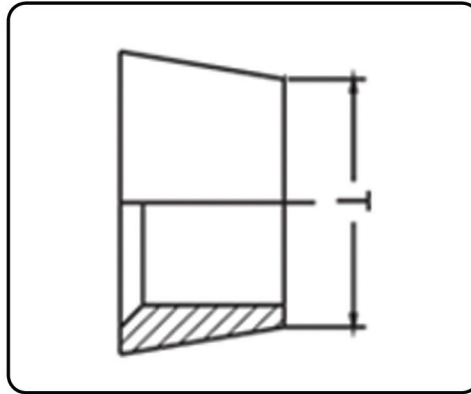


MAFFS VALVES & FITTINGS PVT LTD

Manufacturer of Industrial Valves, Instrumentation Valves & Fittings

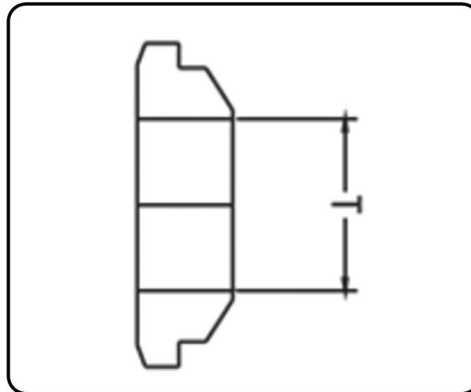


FRONT FERRULE



Tube OD (T) Available sizes																	
Inch	1/16	1/8	1/4	5/16	3/8	1/2	5/8	3/4	7/8	1	1 1/4	1 1/2	2	-	-	-	
Metric	4	6	8	10	12	14	15	16	18	20	22	25	28	30	32	38	

BACK FERRULE

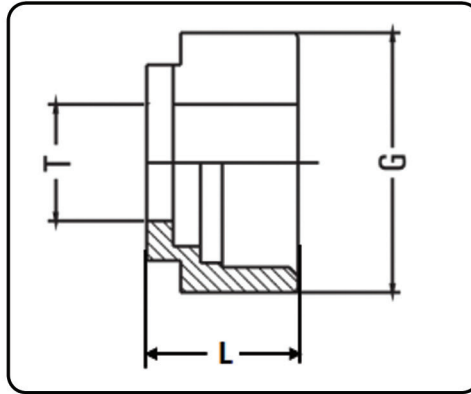


Tube OD (T) Available sizes																	
Inch	1/16	1/8	1/4	5/16	3/8	1/2	5/8	3/4	7/8	1	1 1/4	1 1/2	2	-	-	-	
Metric	3	6	8	10	12	14	15	16	18	20	22	25	28	30	32	38	



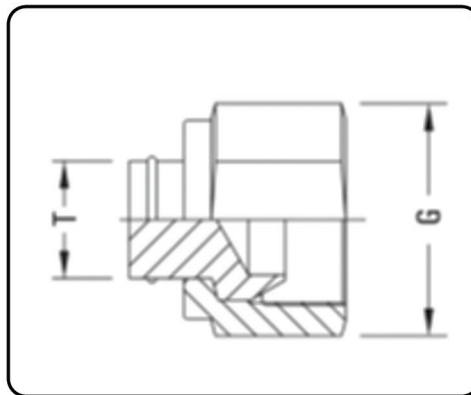


COUPLING CAP



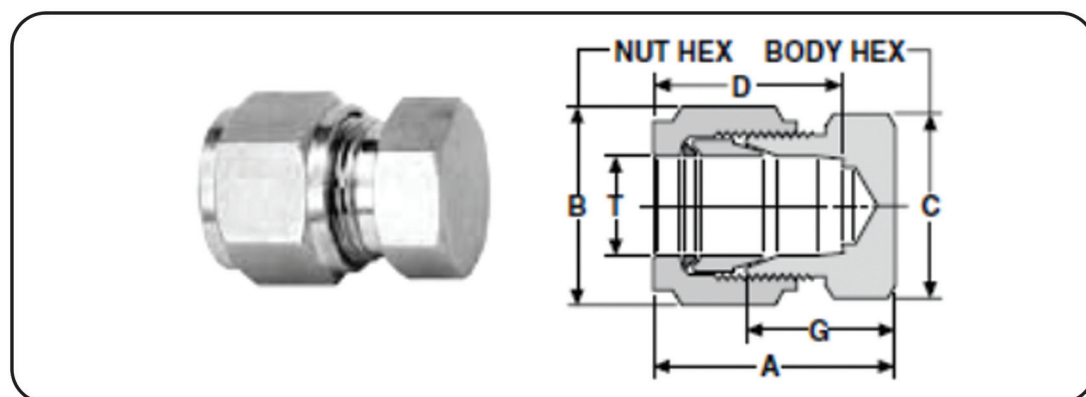
Dimensions mm																	
Inch	T	1/16	1/8	1/4	5/16	3/8	1/2	5/8	3/4	7/8	1	1 1/4	1 1/2	2	-	-	-
	L	8	12	12.7	14	14.5	17.5	17.5	17.5	17.5	20.6	31.8	38	52.5	-	-	-
	G A/F	8	11	14	16	17	22	25	28.5	32	38	50	57	76	-	-	-
Metric	T	3	6	8	10	12	14	15	16	18	20	22	25	28	30	32	38
	L	12	12.7	13.5	15.1	17.5	17.5	17.5	17.5	17.5	17.5	17.5	20.6	30.6	33	32	38.1
	G A/F	11	14	16	22	22	25	25	25	30	32	32	38	46	50	50	57

FITTING END CLOSURE



Dimensions mm																	
Inch	T	1/16	1/8	1/4	5/16	3/8	1/2	5/8	3/4	7/8	1	1 1/4	1 1/2	2	-	-	-
	G A/F	8	11	14	16	17	22	25	28.5	32	38	50	57	76	-	-	-
Metric	T	3	6	8	10	12	14	15	16	18	20	22	25	28	30	32	38
	G A/F	11	14	16	19	22	25	25	25	30	32	32	38	46	50	50	57

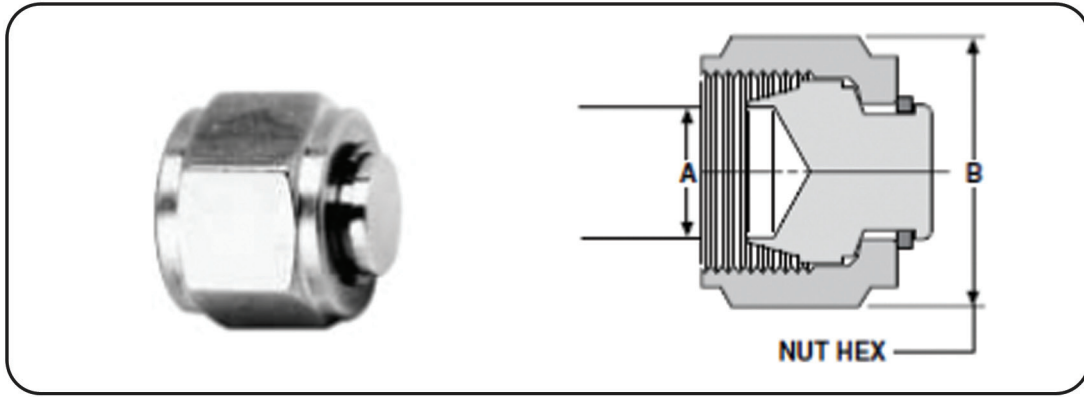




Tube OD in.	Dimensions mm				
	A	B	C	D	G
1/16	16.80	7.90	7.90	10.40	11.20
1/8	23.10	11.10	11.10	14.20	13.50
3/16	22.60	12.70	11.10	15.00	14.70
1/4	24.10	14.30	12.70	16.30	16.00
3/8	26.90	17.50	15.90	18.30	18.30
1/2	32.50	22.20	20.60	24.60	20.60
5/8	33.80	25.40	23.80	25.40	22.60
3/7	34.50	28.60	27.00	25.40	23.40
7/8	35.80	31.80	30.20	26.90	24.60
1	45.00	38.10	34.90	33.30	30.50
1 1/4	53.30	47.60	36.30	38.90	31.20
1 1/2	64.50	57.20	54.00	45.20	37.30
2	86.60	76.20	69.90	62.70	49.30

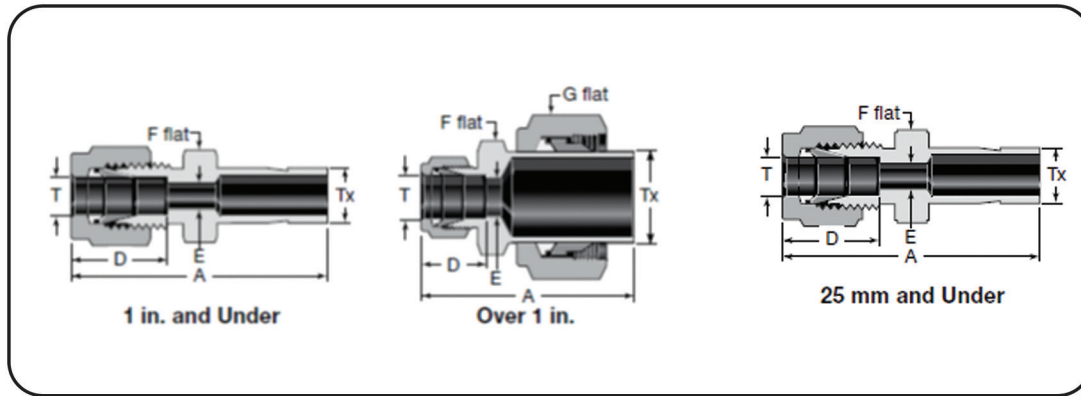
Tube OD	Dimensions mm				
	A	B	C	D	G
3	22.80	11.10	11.10	14.30	14.80
4	23.60	12.70	11.10	15.10	15.80
6	25.30	14.30	12.70	16.30	16.90
8	25.10	159.00	14.30	16.70	17.10
10	26.20	19.10	17.50	17.50	18.30
12	32.60	22.20	20.60	24.60	20.60
14	31.60	23.80	22.20	22.20	22.20
15	31.90	23.80	22.20	22.20	21.50
16	35.00	25.40	23.80	25.00	23.90
18	33.40	28.60	27.00	25.40	23.40
20	40.00	31.80	30.20	31.00	25.20
22	35.80	31.80	30.20	27.00	24.60
25	45.90	38.10	349.00	33.30	31.50
30	53.40	50.80	46.00	39.60	31.80
32	55.80	50.80	46.00	42.00	32.80
36	65.40	60.30	55.00	49.40	37.80





Dimensions mm																	
Inch	A	1/16	1/8	3/16	1/4	3/8	1/2	5/8	3/4	7/8	1	1 1/4	1 1/2	2	-	-	-
	B	7.9	11.1	12.7	14.3	17.5	22.2	25.4	28.6	31.8	38.1	47.6	57.2	76.2	-	-	-
Metric	A	3	4	6	8	10	12	14	15	16	18	20	22	25	30	32	38
	B	11.1	12.7	14.6	15.9	19.1	22.2	23.8	23.8	25.4	28.6	31.8	31.8	38.1	50.8	50.8	60.3





FRACTIONAL

METRIC

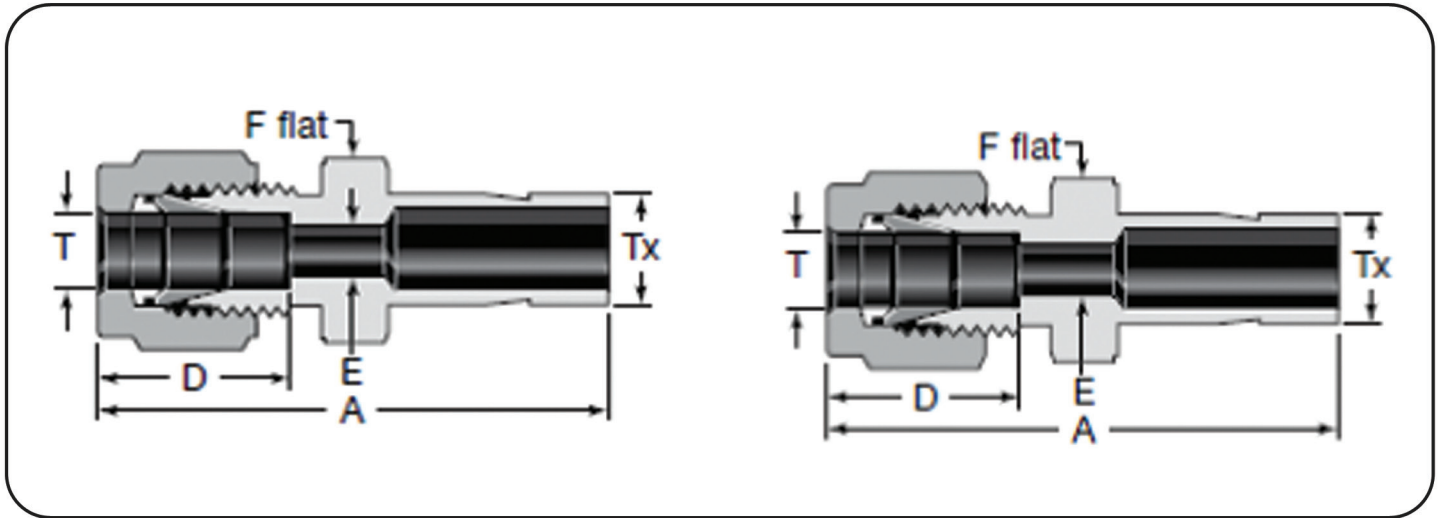
Tube OD in.		Dimensions mm				
T	Tx	A	D	E	F	G
1/16	1/8	29.2	8.60	1.30	7.9	—
	1/4	31.5				
1/8	1/16	29	12.70	0.8	11.1	—
	1/8	33.5		2	11.1	
	3/16	34.3		2.3	11.1	
	1/4	36.1		2.3	11.1	
	3/8	37.6		2.3	14.3	
	1/2	44.2		2.3		
3/16	1/8	34.8	13.70	2	11.1	—
	1/4	37.1		3		
1/4	1/8	36.8	15.20	2	12.7	—
	3/16	37.6		3	12.7	
	1/4	39.1		4.3	12.7	
	5/16	39.9		4.8	12.7	
	3/8	40.6		4.8	14.3	
	1/2	46.2		4.8	17.5	
	5/8	48		4.8	20.6	
3/4	47.8	4.8				
5/16	3/8	41.9	16.30	6.40	14.3	—
	1/2	47.5				
3/8	1/4	41.4	16.80	4.3	15.9	—
	3/8	43.2		6.9	15.9	
	1/2	48.5		7.1	15.9	
	5/8	50.3		7.1	17.5	
	3/4	50.3		7.1	20.6	
1/2	1/4	45	22.90	4.3	20.6	—
	3/8	46.7		6.9	20.6	
	1/2	52.3		9.4	20.6	
	5/8	53.8		10.4	20.6	
	3/4	53.8		10.4	20.6	
	1	60.2		10.4	27	
5/8	3/4	54.6	24.40	12.70	23.8	—
	7/8	56.1			23.8	
	1	61			27	
3/4	1/2	54.6	24.40	9.4	27	—
	1	62.5		15.7		
1	1 1/4	80.5	31.20	22.40	34.9	47.6
	1 1/2	89.2			41.3	57.2
	2	112.5			54	76.2
1 1/4	1 1/2	104.1	41.10	27.70	44.5	57.2
	2	125.2			54	76.2
1 1/2	2	131.30	50.00	34.00	54	76

Tube OD		Dimensions mm			
T	Tx	A	D	E	F
2	3	33.5	12.9	1.7	12
3	4	35	12.9	2.4	12
	6	36.1			12
	10	38.4			14
4	6	37.1	13.7	2.4	12
6	3	36.9	15.3	1.9	14
	8	39.9		4.8	14
	10	40.7		4.8	14
	12	46.3		4.8	14
	18	49.6		4.8	22
8	6	40.3		4.1	15
	10	42.0		6.4	
	12	47.6		6.4	
10	6	42.4	17.2	4.1	18
	8	43.4		5.6	18
	12	49.8		7.9	18
	15	51.3		7.9	18
	18	51.3		7.9	22
12	6	44.9	22.8	4.1	22
	8	45.9		5.6	22
	10	46.7		7.1	22
	16	53.8		9.5	22
	18	53.8		9.5	22
	20	56.1		9.5	22
	22	56.1		9.5	24
	25	62.4		9.5	27
14	12	53.0	24.4	8.8	24
15	12	53.0	24.4	8.8	24
16	12	53.0	24.4	8.8	24
18	12	54.6	24.4	8.8	27
	16	56.1		12.0	
	20	57.6		15.1	
	22	57.6		15.1	
	25	62.4		15.1	
22	18	57.9		13.9	30
	20	59.4		15.5	
	25	64.2		18.3	
25	18	63.1	31.3	13.9	35
	20	64.6		15.5	



METRIC TO FRACTION

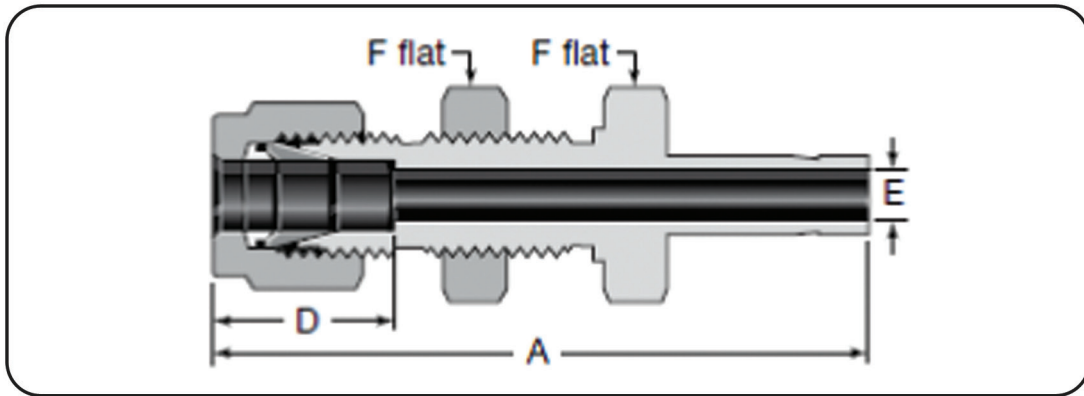
FRACTION TO METRIC



Tube OD		Dimensions mm			
T	Tx in	A	D	E	F
2	1/8	33.5	12.9	1.7	12
3	1/8	33.5	12.9	2	12
	1/4	36.1		2.4	
4	1/4	37.1	15.3	2.4	14
	1/8	36.9		2.0	
	1/4	39.2		4.4	
	3/8	40.7		4.8	
6	1/2	46.3	16.2	4.8	15
	1/4	40.3		4.4	
	3/8	42.0		6.4	
8	1/2	47.6	17.2	6.4	18
	3/8	44.2		6.8	
10	1/2	49.8	22.8	7.9	22
	3/4	53.8		9.5	
12	3/4	56.1	24.4	14.7	27
	1	62.4		15.1	
18	1	69.5	31.3	20.2	35

Tube OD		Dimensions mm			
T, in.	Tx	A	D	E	F
1/8	6	36.10	12.70	2.30	11.10





BULKHEAD REDUCER

Tube OD in.	Dimensions mm					
	A	D	E	F	Panel Hole Size	Max Panel Thickness
1/8	49.50	12.70	2.00	12.70	8.30	12.70
1/4	55.90	15.20	4.30	15.90	11.50	10.20
3/8	61.20	16.80	6.90	19.10	14.70	11.20
1/2	72.90	22.90	9.40	23.80	19.40	12.70
5/8	75.20	24.40	11.90	27.00	22.60	12.70
3/4	81.50	24.40	14.70	30.20	25.80	16.80
1	100.30	31.20	20.30	41.30	33.70	19.10





Follow us at :



For more details, Contact at :

- +91 9930568025
- sales@maffsvalves.com
- www.maffsvalves.com

CORPORATE & FACTORY :

Gala No. 9, Building No. 3, Patel Industrial Estate, Gokhivare,
Range Office, Vasai East, Palghar - 401208

