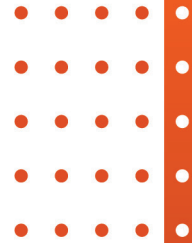




Sealant Injection Fittings



MAFFS VALVES & FITTINGS PVT LTD

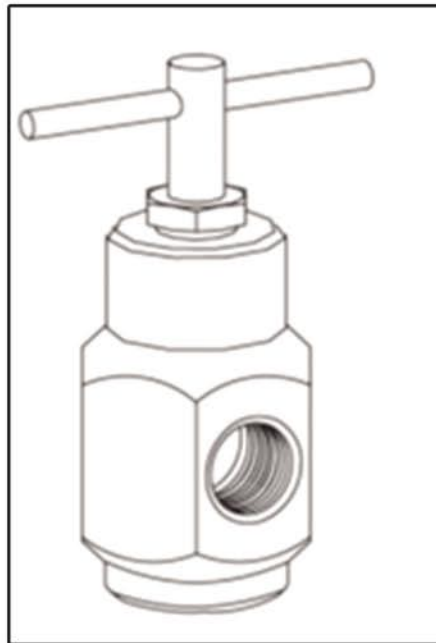
Manufacturer of Industrial Valves, Instrumentation Valves & Fittings



PRESSURE RELIEF TOOL

PRESSURE RELIEF

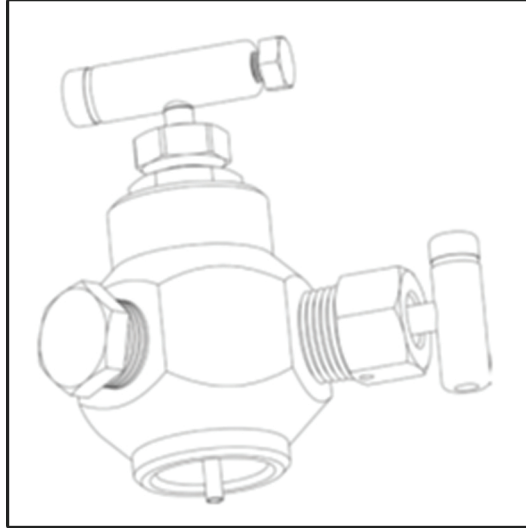
For 1" 14 UNS Vented Cap Fittings, 1/2" NPT Vent Port, Suitable for Pressure upto 10,000 PSI





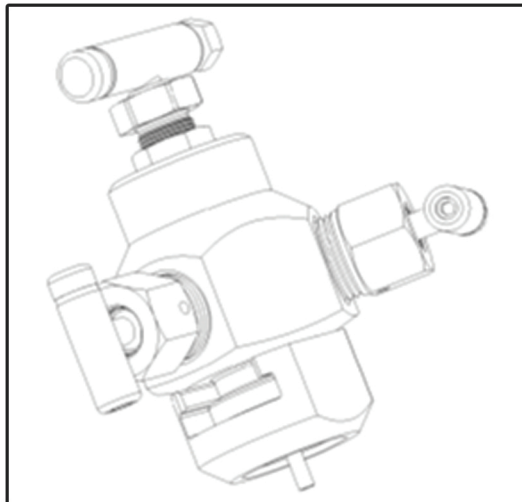
PRESSURE RELIEF TOOL WITH BLEEDER

For 1" 14 UNS Vented Cap Fittings, 1/2" NPT Vent Port, Suitable for Pressure upto 10,000 PSI



PRESSURE RELIEF TOOL WITH BLEEDER & SWIVEL

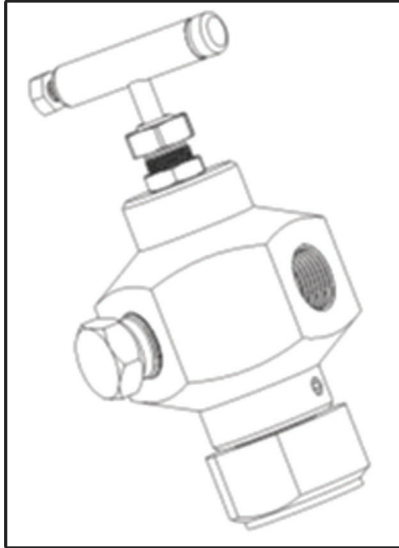
For 1" 14 UNS Vented Cap Fittings, , 1/2" NPT Vent Port with Bleeder valve, Suitable for Pressure upto 10,000 PSI



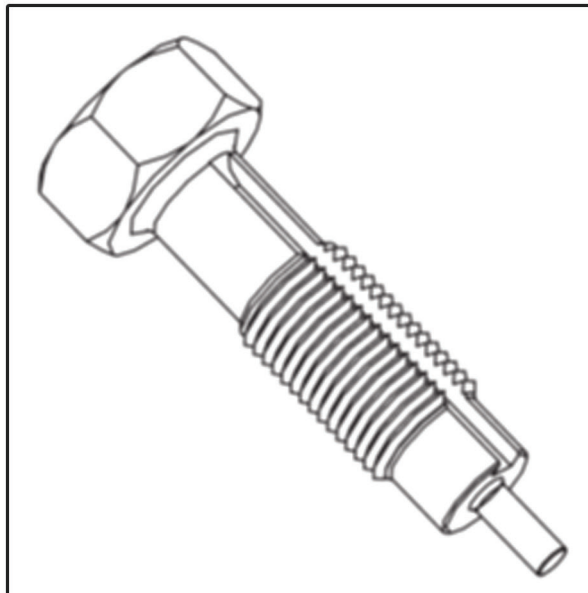


PRESSURE RELIEF TOOL WITH BLEEDER & SWIVEL

For 1" 14 UNS Vented Cap Fittings, 1/2" NPT Vent Port with Autoclave plug, Suitable for Pressure upto 20,000 PSI



PRESSURE RELIEF TOOL FOR PACKING INJECTION FITTINGS





Follow us at :



For more details, Contact at :

- +91 9930568025
- sales@maffsvalves.com
- www.maffsvalves.com

CORPORATE & FACTORY :

Gala No. 9, Building No. 3, Patel Industrial Estate, Gokhivare,
Range Office, Vasai East, Palghar - 401208

