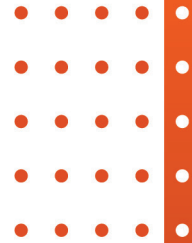
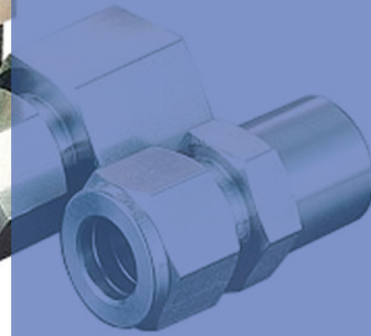


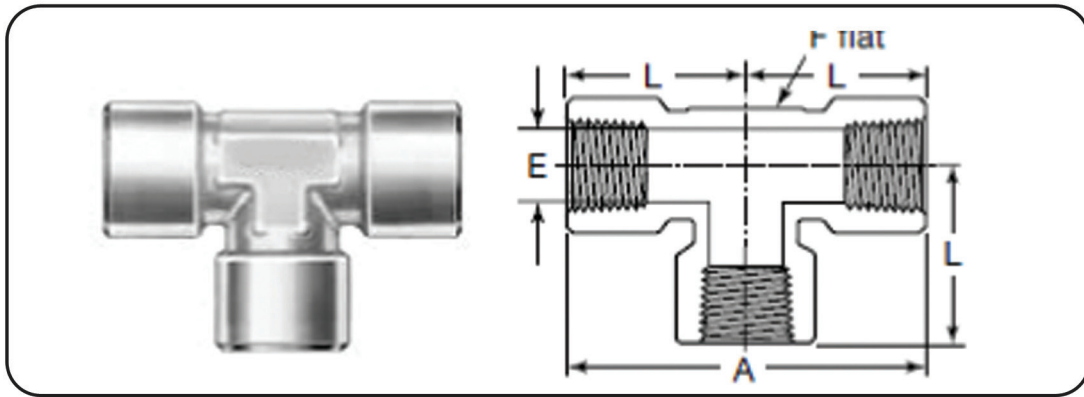


Pipe Fittings



MAFFS VALVES & FITTINGS PVT LTD

Manufacturer of Industrial Valves, Instrumentation Valves & Fittings



FEMALE NPT

NPT Size in.	Dimensions mm			
	A	E	L	F
1/8	52.8	8.6	26.4	12.7
1/4	59.4	11.4	29.7	17.5
3/8	72.1	15	36.1	20.6
1/2	79.2	18.5	39.6	25
3/4	97.5	23.9	48.8	31.8
1	97	29.7	48.5	42.9
Heavy-Wall Female NPT				
1/4	79.2	11.4	39.6	25
1/2	100	18.5	50	42.9

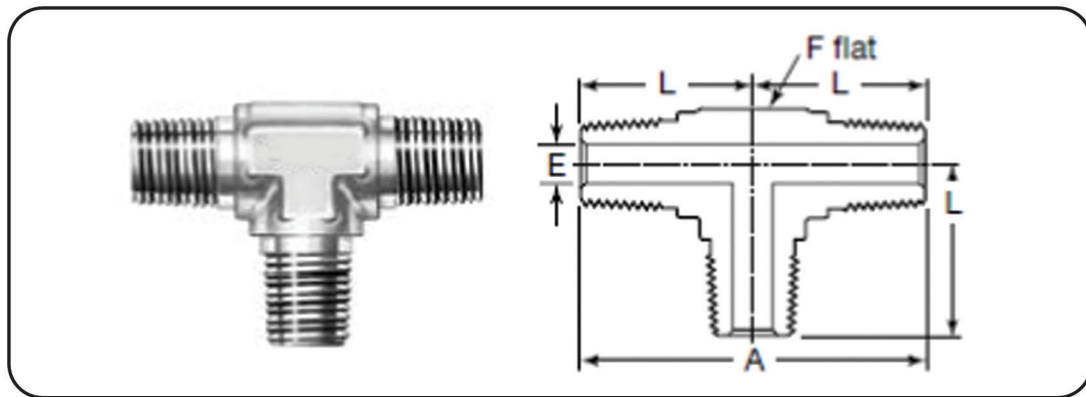
FEMALE ISO TAPERED THREAD (RT)

ISO Thread Size in.	Dimensions mm			
	A	E	L	F
1/4	59.4	11.2	29.7	17.5
3/8	72.1	14.7	36.1	20.6
1/2	79.2	18.3	39.6	25.4



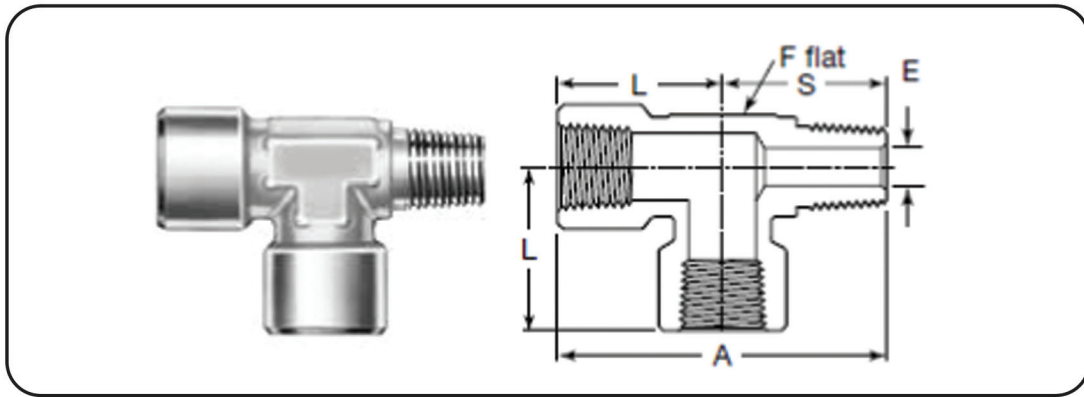


NPT



NPT Size in.	Dimensions mm			
	A	E	L	F
1/8	44.7	4.8	22.4	11.1
1/4	53.3	7.1	26.7	12.7
3/8	59.4	9.6	29.7	17.5
1/2	73.7	11.9	36.8	20.6

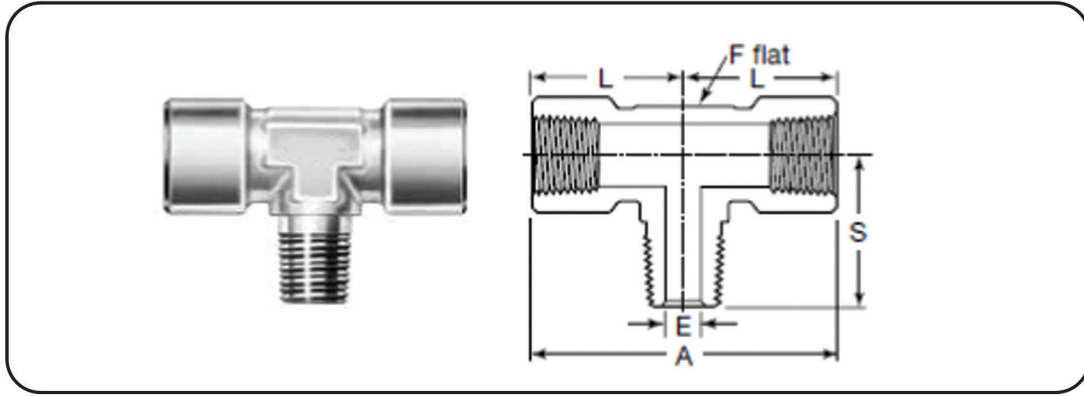




MALE AND FEMALE NPT

NPT Size in.	Dimensions mm				
	A	E	L	S	F
1/8	48.5	4.8	26.4	22.1	12.7
1/4	59.4	7.1	29.7	29.7	17.5
3/8	68.1	9.6	36.1	32	20.6
1/2	79.2	11.9	39.6	39.6	25
3/4	91.2	15.7	48.8	42.4	31.8





MALE AND FEMALE NPT

NPT Size in.	Dimensions mm				
	A	E	L	S	F
1/8	52.8	4.8	26.4	22.1	12.7
1/4	59.4	7.1	29.7	29.7	17.5
3/8	72.1	9.6	36.1	32	20.6
1/2	79.2	11.9	39.6	39.6	25





Follow us at :



For more details, Contact at :

- +91 9930568025
- sales@maffsvalves.com
- www.maffsvalves.com

CORPORATE & FACTORY :

Gala No. 9, Building No. 3, Patel Industrial Estate, Gokhivare,
Range Office, Vasai East, Palghar - 401208

