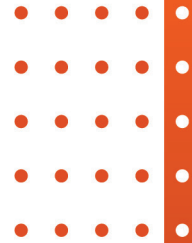


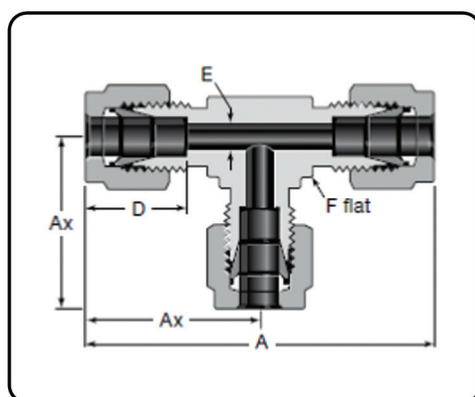


Tube Fittings



MAFFS VALVES & FITTINGS PVT LTD

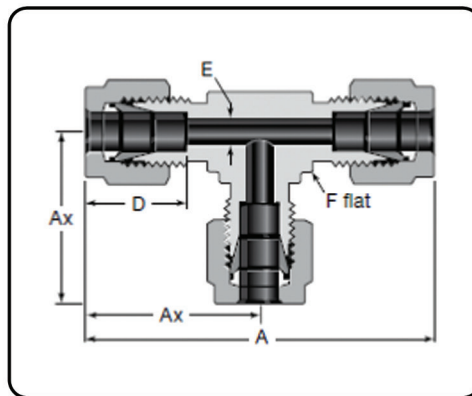
Manufacturer of Industrial Valves, Instrumentation Valves & Fittings



Tube OD in	Dimensions mm				
	A	Ax	D	E	F
1/16	35.60	17.80	8.60	1.30	9.5
1/8	44.70	22.40	12.70	2.30	9.5
3/16	48.80	24.40	13.70	3.00	11.1
1/4	53.80	26.90	15.20	4.80	12.7
5/16	59.40	29.70	16.30	6.40	15.9
3/8	61.00	30.50	16.80	7.10	15.9
1/2	72.10	36.10	22.90	10.40	20.6
5/8	77.70	38.90	24.40	12.70	25
3/4	79.80	39.90	24.40	15.70	27
7/8	89.40	44.70	25.90	18.30	34.9
1	98.00	49.00	31.20	22.40	34.9
1 1/8	110.20	55.10	31.20	24.60	42.9
1 1/4	135.60	67.80	41.10	27.70	42.9
1 1/2	157.50	78.70	50.00	34.00	51
2	214.40	107.20	67.60	46.00	69.9

Tube OD	Dimensions mm				
	A	Ax	D	E	F
2	44.7	22.3	12.9	1.7	9.5
3	44.7	22.3	12.9	2.4	9.5
4	50.8	25.4	13.7	2.4	12.7
6	53.9	27.0	15.3	4.8	12.7
8	59.7	29.9	16.2	6.4	15.9
10	63.0	31.5	17.2	7.9	17.5
12	72.0	36.0	22.8	9.5	20.6
14	77.6	38.8	24.4	11.1	25.4
15	77.6	38.8	24.4	11.9	25.4
16	77.6	38.8	24.4	12.7	25.4
18	79.6	39.8	24.4	15.1	27
20	89.3	44.6	26.0	15.9	34.6
22	89.3	44.6	26.0	18.3	34.6
25	98.3	49.1	31.3	21.8	34.9
28	128	64.0	36.6	21.8	41
	103	51.4	31.6	24.6	42.9
30	140	69.9	39.6	26.2	46
32	145	72.3	42.0	28.6	46
38	168	84.0	49.4	33.7	55
50	211	106	65.0	45.2	69.9



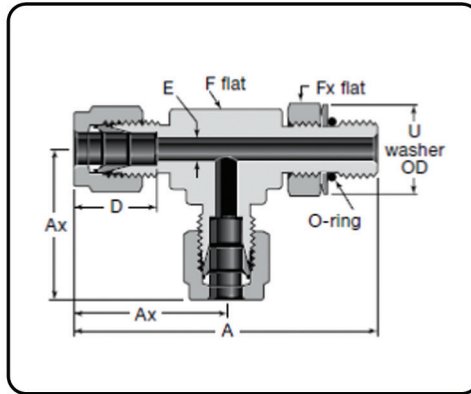


NPT

Tube OD in	NPT Size in.	Dimensions mm				
		A	Ax	D	E	F
1/8	1/8	41.4	23.6	12.70	2.30	11.1
	1/4	48	24.6			12.7
3/16	1/8	42.20	24.40	13.70	3.00	11.1
1/4	1/8	45.7	26.90	15.20	4.80	12.7
	1/4	50.3				12.7
5/16	1/8	50.50	29.70	16.30	4.80	15.9
3/8	1/4	55.9	30.5	16.80	7.10	15.9
	3/8	61.5	33.3			20.6
1/2	3/8	64.3	36.10	22.90	9.7	20.6
	1/2	69.9			10.4	
5/8	1/2	73.20	38.10	24.40	11.90	23.8
3/4	3/4	76.70	39.90	24.40	15.70	27

Tube OD	NPT Size in.	Dimensions mm				
		A	Ax	D	E	F
6	1/8	45.8	27.0	15.3	4.8	12.7
	1/4	50.3				12.7
8	1/4	55.3	29.9	16.2	6.4	15.9
12	1/4	64.2	36.0	22.8	7.1	20.6
	1/2	69.0			9.5	
16	1/2	73.1	38.0	24.4	11.9	23.8

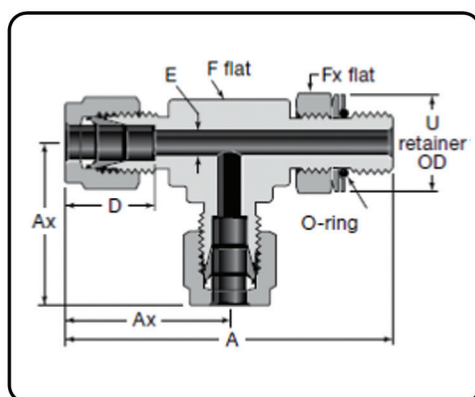




STRAIGHT THREAD

Tube OD in	SAE/MS Thread Size in	Dimensions mm						
		A	Ax	D	E	F	Fx	U
1/4	7/16-20	56.90	28.40	15.20	4.80	12.7	14.3	16.50
3/8	9/16-18	64.30	32.00	16.80	7.10	15.9	17.5	20.10
1/2	3/4-16	75.40	37.60	22.90	10.40	20.6	22.2	25.70
3/4	1 1/16-12	90.20	41.40	24.40	15.70	27	31.8	36.60
1	1 5/16-12	104.10	50.50	31.20	22.40	34.9	38.1	43.90
1 1/4	1 5/8-12	126.00	67.80	41.10	27.70	42.9	47.6	54.90
1 1/2	1 7/8-12	138.40	78.00	50.00	34.00	51	54	62.20
2	2 1/2-12	178.80	107.20	67.60	46.00	69.9	69.9	80.30



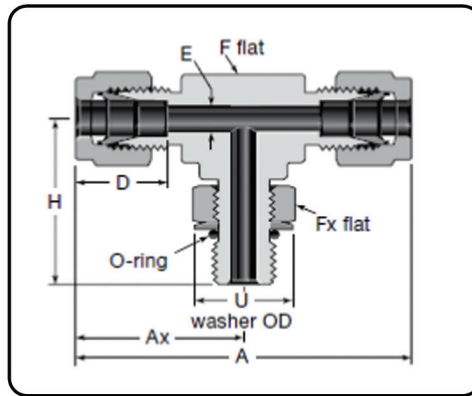


BSPP

Tube OD in	ISO Thread Size in.	Dimensions mm						
		A	Ax	D	E	F	Fx	U
1/4	1/8	53.3	26.9	15.20	4.1	12.7	14.3	15.2
	1/4	61.2	29		4.8	15.9	19.1	20.3
3/8	1/4	62.70	30.50	16.80	5.80	15.9	19.1	20.30
1/2	3/8	73.2	36.1	22.90	7.9	20.6	22.2	24.4
	1/2	81.5	38.1		10.4	23.8	27	29.5
5/8	1/2	81.50	38.10	24.40	11.90	23.8	27	29.50
3/4	3/4	8.6	39.90	24.40	15.7	27	34.9	36.3
	1/2	85.1			11.9		27	29.5
1	1	102.60	49.00	31.20	19.80	34.9	41.3	46.20

Tube OD	ISO Thread Size in.	Dimensions mm						
		A	Ax	D	E	F	Fx	U
6	1/8	53.4	27.0	15.3	4.0	12.7	14.3	15.2
	1/4	61.2	29.0		4.8	15.9	19.1	20.3
8	1/8	56.3	28.8	16.2	4.0	14.3	14.3	15.2
	1/4	62.1	29.9		6.4	15.9	19.1	20.3
10	1/4	68.6	33.5	17.2	5.9	20.3	19.1	20.3
12	3/8	73.1	36.0	22.8	7.9	20.6	22.2	24.4
	1/2	81.5	38.0		9.5	23.8	27	29.5

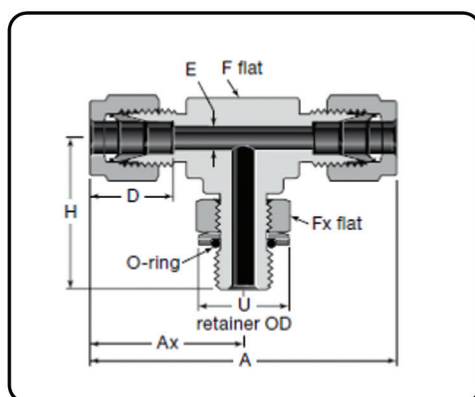




STRAIGHT THREAD

Tube OD in	SAE/MS Thread Size in	Dimensions mm							
		A	Ax	D	E	F	Fx	H	U
1/4	7/16-20	56.90	28.40	15.20	4.80	12.70	14.30	28.40	16.50
3/8	9/16-18	64.00	32.00	16.80	7.10	15.90	17.50	32.30	20.10
1/2	3/4-16	75.20	37.60	22.90	10.40	20.60	22.20	37.80	25.70
3/4	1 1/16-12	82.80	41.40	24.40	15.70	27.00	69.90	48.80	36.60
1	1 5/16-12	101.10	50.50	31.20	22.40	34.90	38.10	53.60	43.90
1 1/4	1 5/8-12	135.60	67.80	41.10	27.70	42.90	47.60	58.20	54.90
1 1/2	1 7/8-12	156.00	78.00	50.00	34.00	50.80	54.00	62.20	62.20
2	2 1/2-12	214.40	107.20	67.60	46.00	69.90	69.90	70.40	80.30



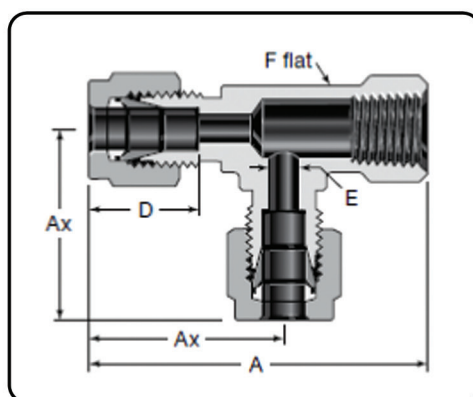


BSPP

Tube OD in	ISO Thread Size in.	Dimensions mm							
		A	Ax	D	E	F	Fx	H	U
1/4	1/8	53.8	26.9	15.20	4.1	12.7	14.3	26.4	15.2
	1/4	57.9	29		4.8	15.9	19.1	32.3	20.3
3/8	1/4	61.00	30.50	16.80	5.80	15.9	19.1	32.30	20.30
1/2	3/8	72.1	36.1	22.90	7.9	20.6	22.2	37.1	24.4
	1/2	76.2	38.1		10.4	23.8	27	43.4	29.5
5/8	1/2	76.20	38.10	24.40	11.90	23.8	27	43.40	29.50
3/4	3/4	79.80	39.90	24.40	15.7	27	34.9	48.8	36.3
	1/2	79.80	39.90		11.9		27	45.2	29.5
1	1	98.00	49.00	31.20	19.80	34.9	41.3	53.60	48.80

Tube OD	ISO Thread Size in.	Dimensions mm							
		A	Ax	D	E	F	Fx	H	U
6	1/8	53.9	27.0	15.3	4.0	12.7	14.3	26.4	15.2
	1/4	58.0	29.0		4.8	15.9	19.1	32.2	20.3
8	1/8	57.7	30.0	16.2	4.0	14.3	14.3	28.4	15.2
	1/4	59.7			5.9	15.9	19.1	32.3	20.3
10	1/4	67.0	33.5	17.2	5.9	20.6	19.1	35.1	20.3
12	3/8	72.0	36.1	22.8	7.9	20.6	22.2	37.1	24.4
	1/2	76.1	38.1		9.5	23.8	27	43.4	29.5



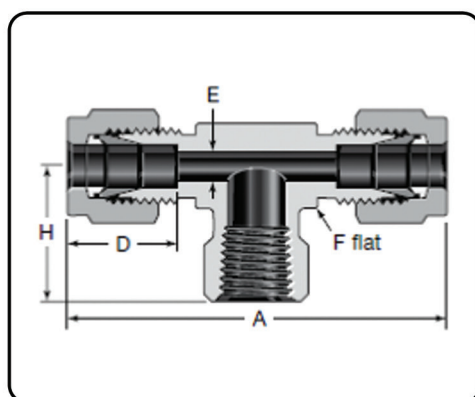


NPT

Tube OD in	NPT Size in.	Dimensions mm				
		A	Ax	D	E	F
1/8	1/8	43.70	24.60	12.70	2.30	12.7
1/4	1/8	46	26.9	15.20	4.80	12.7
	1/4	52.1	29.7			17.5
3/8	1/4	53.60	31.20	16.80	7.10	17.5
1/2	3/8	58.4	36.1	22.90	10.40	20.6
	1/2	68.3	39.9			27
3/4	3/4	76.50	44.70	24.40	15.70	34.9
1	3/4	80.8	49	31.20	22.40	34.9
	1	91.7	53.6			42.9

Tube OD	NPT Size in.	Dimensions mm				
		A	Ax	D	E	F
6	1/8	46.0	27.0	15.3	4.8	12.7
	1/4	52.1	29.8			17.5
8	1/8	48.9	29.9	16.2	6.4	15.9
	1/4	53.0	30.6			17.5
10	1/4	55.9	33.5	17.2	7.9	20.6
12	1/4	58.4	36.0	22.8	9.5	20.6
	3/8	58.4	36.0		10.3	20.6
	1/2	68.3	39.8		9.5	27
16	1/2	68.2	39.8	24.4	12.7	27

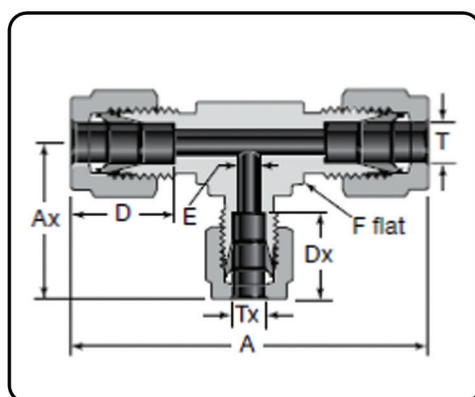




NPT

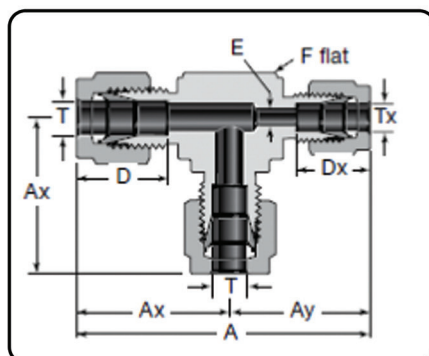
Tube OD in	NPT Size in.	Dimensions mm				
		A	D	E	F	H
1/8	1/8	49.30	12.70	2.30	12.7	19.10
1/4	1/8	53.8	15.20	4.80	12.7	19.1
	1/4	59.4			17.5	22.1
3/8	1/4	62.5	16.80	7.10	17.5	22.4
	3/8	66.5			20.6	22.4
	1/2	72.1			25.4	28.4
1/2	1/4	72.1	22.90	10.40	20.6	22.4
	3/8	72.1			20.6	22.4
	1/2	77.7			25.4	28.4
5/8	1/2	77.70	24.40	12.70	25	28.40
3/4	3/4	89.40	24.40	15.70	34.9	31.80
1	3/4	98	31.20	22.40	34.9	31.8
	1	107.2			42.9	38.1

Tube OD	NPT Size in.	Dimensions mm				
		A	D	E	F	H
6	1/8	53.9	15.3	4.8	12.7	19.0
	1/4	59.5			17.5	22.4
8	1/8	59.7	16.2	6.4	15.9	19.0
	1/4	61.2			17.5	22.4
10	1/4	67.0	17.2	7.9	20.6	22.4
12	1/4	72.0	22.8	9.5	20.6	22.4
	3/8	72.0			20.6	22.4
	1/2	77.7			25.4	28.4
16	1/2	77.6	24.4	12.7	25	28.4

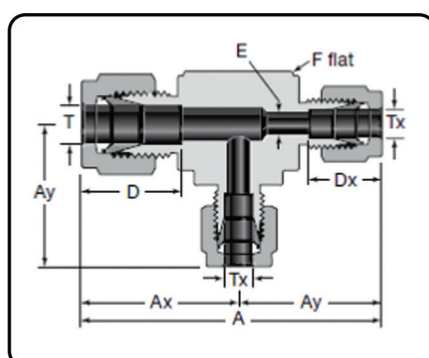


Tube OD in		Dimensions mm					
T	Tx	A	Ax	D	Dx	E	F
3/8	1/4	61.00	29.00	16.80	15.20	4.80	15.9
1/2	1/4	72.10	31.8	22.90	15.2	4.8	20.6
	3/8		33.3		16.8	7.1	
5/8	3/8	77.70	36.10	24.40	16.80	7.10	25
3/4	3/8	79.80	37.1	24.40	16.8	7.1	27
	1/2		39.9		22.9	10.4	
1	3/8	98.00	41.9	31.20	16.8	7.1	34.9
	1/2		44.7		22.9	10.4	
	3/4		44.7		24.4	15.7	
1 1/4	1	135.60	55.10	41.10	31.20	22.40	42.9
1 1/2	1	157.50	59.90	50.00	31.20	22.40	51
2	1	214.40	70.90	67.60	31.20	22.40	69.9

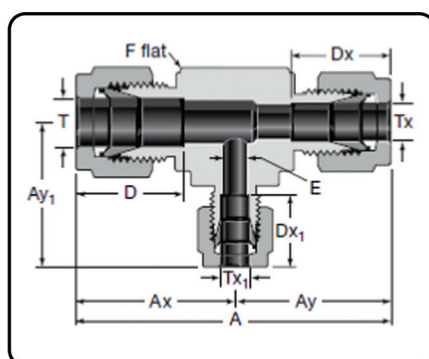
Tube OD		Dimensions mm					
T	Tx	A	Ax	D	Dx	E	F
3	6	49.3	26.9	12.9	15.3	2.4	12.7
8		59.9	29.0	16.2	15.3	4.8	15.9
10		63.0	29.7	17.2	15.3	4.8	17.5
12		72.0	31.8	22.8	15.3	4.8	20.6
15	12	77.7	38.9	24.4	22.8	9.5	25
16		77.6	38.9	24.4	22.8	9.5	25
18		79.8	39.9	24.4	22.8	9.5	27
22		89.4	44.7	26.0	22.8	9.5	34.9
25		98.0	44.7	31.3	22.8	9.5	34.9



Tube OD in		Dimensions mm						
T	Tx	A	Ax	Ay	D	Dx	E	F
3/8	1/4	59.40	30.50	29.00	16.80	15.20	4.80	15.90

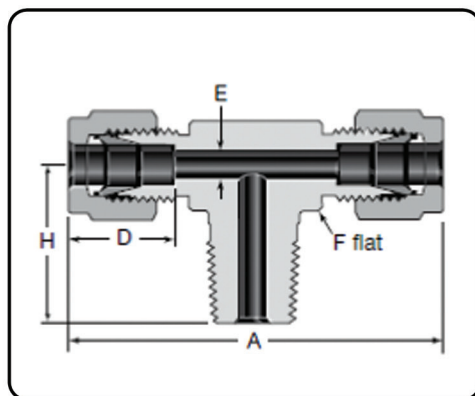


Tube OD in		Dimensions mm						
T	Tx	A	Ax	Ay	D	Dx	E	F
1/2	3/8	69.30	36.10	33.30	22.90	16.80	7.10	20.6
5/8		74.90	38.90	36.10	24.40	16.80	7.10	25
3/4		77.00	39.90	37.10	24.40	16.80	7.10	27



Tube OD in			Dimensions mm								
T	Tx	Tx ₁	A	Ax	Ay	Ay ₁	D	Dx	Dx ₁	E	F
5/8	1/2	3/8	77.70	38.90	38.90	36.10	24.40	22.90	16.80	7.10	25
3/4	1/2		79.80	39.90	39.90	37.10	24.40	22.90			27
1	3/4		93.70	49.00	44.70	41.90	31.20	24.40			34.9





NPT

Tube OD in	NPT Size in.	Dimensions mm				
		A	D	E	F	H
1/8	1/8	47.2	12.70	2.30	11.1	17.8
	1/4	49.3			12.7	23.4
3/16	1/8	48.80	13.70	3.00	11.1	17.80
1/4	1/8	53.80	15.20	4.80	12.7	18.8
	1/4				23.4	23.4
5/16	1/8	59.40	16.30	4.80	15.9	20.80
3/8	1/4	61	16.80	7.10	15.9	25.4
	3/8	66.5			20.6	28.2
1/2	3/8	72.10	22.90	9.7	20.6	28.2
	1/2			10.4		33
5/8	1/2	77.70	24.40	11.90	25	35.80
3/4	3/4	79.80	24.40	15.70	27	36.80

Tube OD	NPT Size in.	Dimensions mm				
		A	D	E	F	H
6	1/8	53.9	15.3	4.8	12.7	18.8
	1/4					23.4
8	1/8	59.7	16.2	4.8	15.9	20.8
	1/4			6.4		25.4
10	1/4	67.0	17.2	7.1	20.6	26.2
12	3/8	72.0	22.8	9.5	20.6	28.2
	1/4			7.1		28.2
	1/2			9.5		33.0
16	1/2	77.6	24.4	11.9	25	35.8



Follow us at :



For more details, Contact at :

- +91 9930568025
- sales@maffsvalves.com
- www.maffsvalves.com

CORPORATE & FACTORY :

Gala No. 9, Building No. 3, Patel Industrial Estate, Gokhivare,
Range Office, Vasai East, Palghar - 401208

