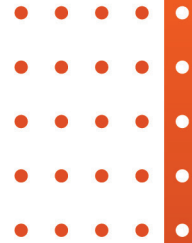




## Sealant Injection Fittings



# MAFFS VALVES & FITTINGS PVT LTD

Manufacturer of Industrial Valves, Instrumentation Valves & Fittings

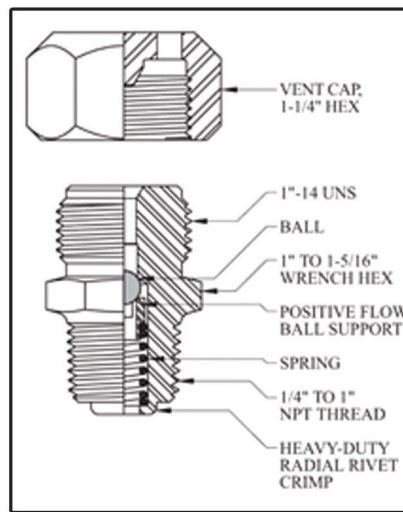


## MATERIALS

Body	Ball	Spring	Heat Treatment	Plating
AISI 1215 Carbon Steel	Chrome Alloy	SS302	-	Zinc
AISI 4140	Monel	Inconel X750	22 HRc Max (Nace)	Zinc
SS 316	Monel	Inconel X750	Annealed (Nace)	-

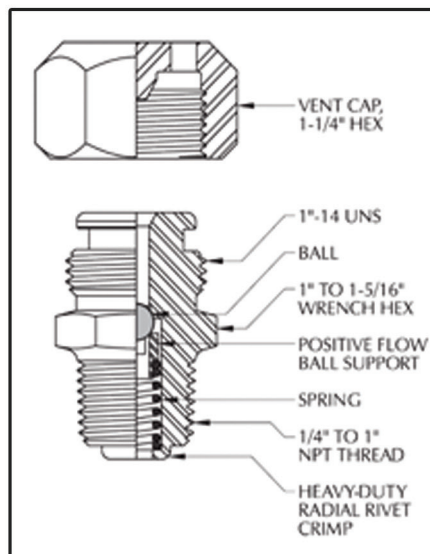
## VENTED CAP BODY GREASE FITTINGS (STANDARD)

Sizes: 1/4" NPT, 3/8" NPT, 1/2" NPT, 3/4" NPT & 1" NPT



## VENTED CAP BODY GREASE FITTINGS WITH GIANT BUTTON (STANDARD)

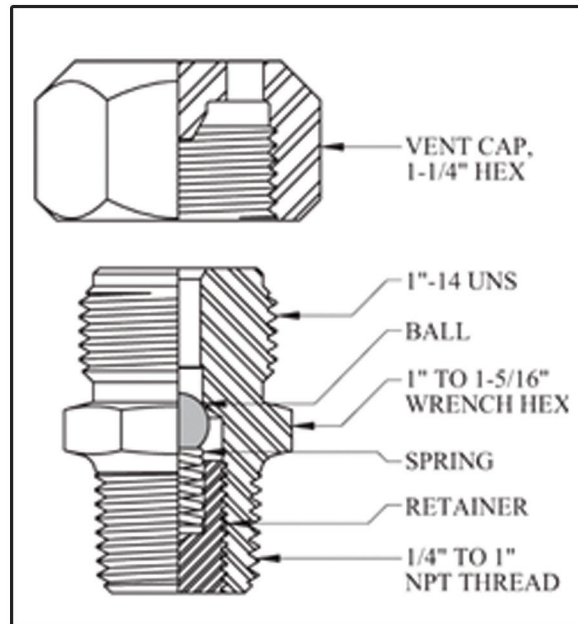
Sizes: 1/4" NPT, 3/8" NPT, 1/2" NPT, 3/4" NPT & 1" NPT





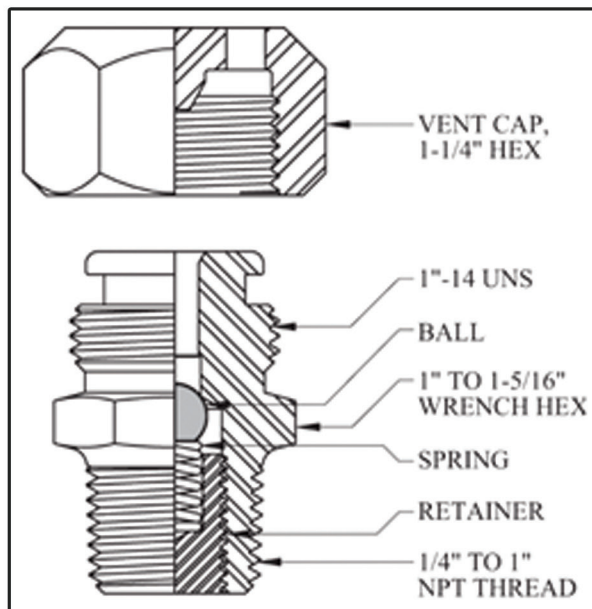
## VENTED CAP BODY GREASE FITTINGS (SPECIAL)

Sizes: 1/4" NPT, 3/8" NPT, 1/2" NPT, 3/4" NPT & 1" NPT



## VENTED CAP BODY GREASE FITTINGS WITH GIANT

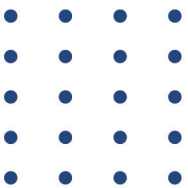
Sizes: 1/4" NPT, 3/8" NPT, 1/2" NPT, 3/4" NPT & 1" NPT







Follow us at :



For more details, Contact at :

- +91 9930568025
- sales@maffsvalves.com
- www.maffsvalves.com

**CORPORATE & FACTORY :**

Gala No. 9, Building No. 3, Patel Industrial Estate, Gokhivare,  
Range Office, Vasai East, Palghar - 401208